

# Condensed Power for Mobile Applications



## Permanent Magnet DC - Motor

Disc-Motors with patented rotor technology and high efficiency

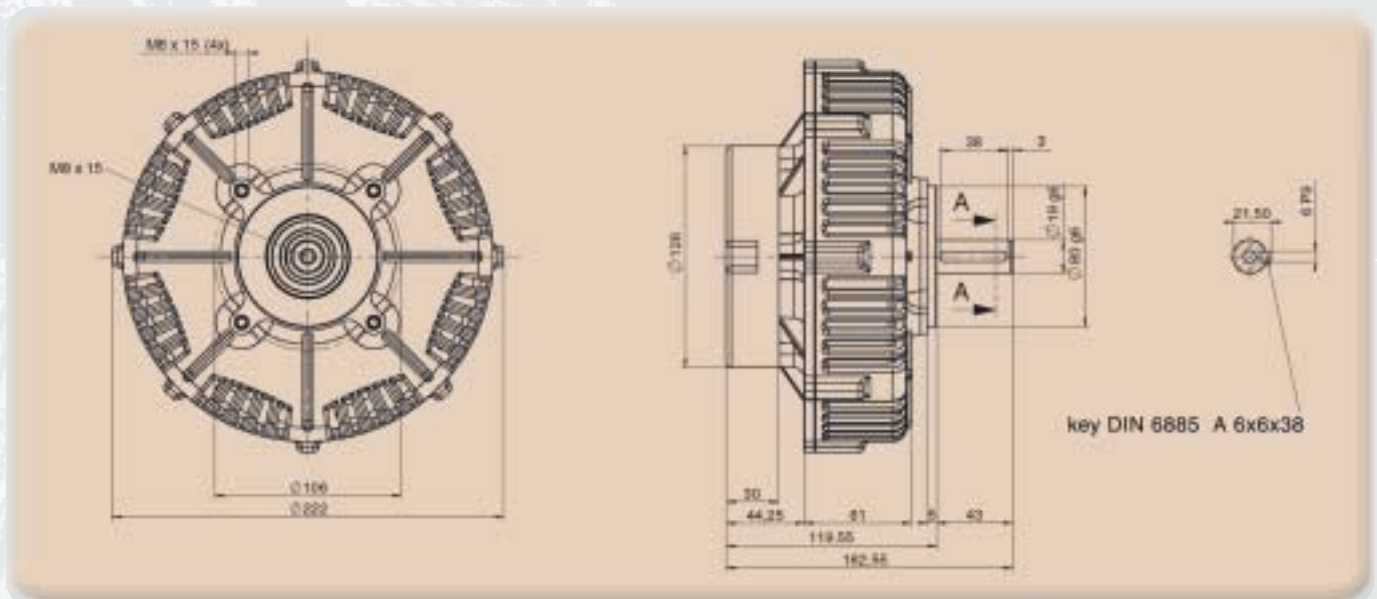
From 12 Volt to 72 Volt DC, for all battery-powered applications

### Advantages:

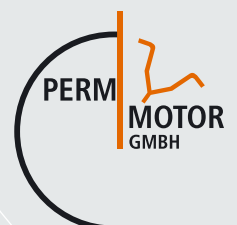
- low weight
- high efficiency
- high torque
- simplified control
- energy recuperation in generator mode



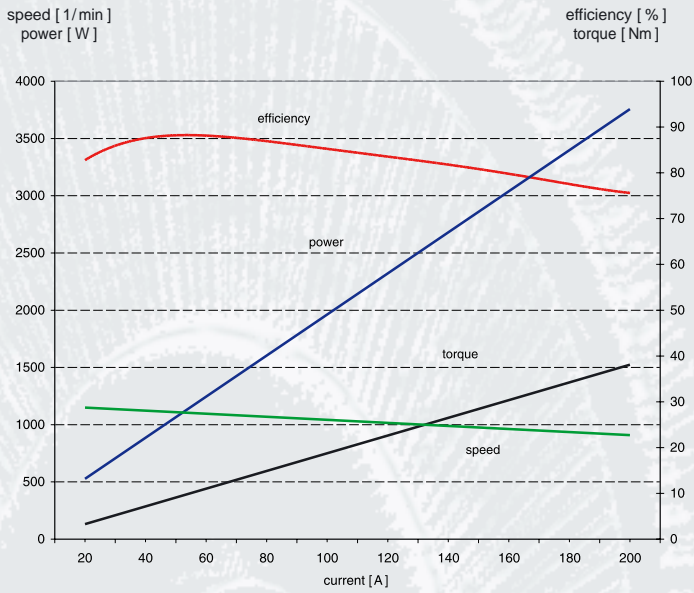
**PMG 132**



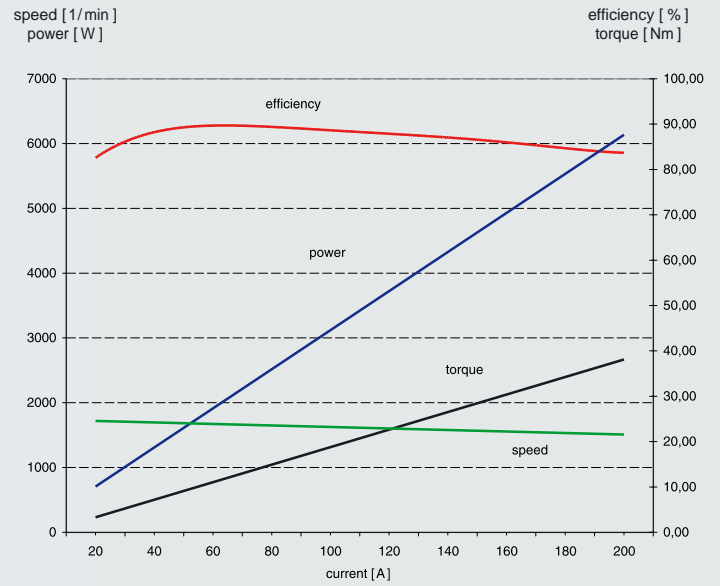
Voltage	24 V	36 V	48 V	60 V	72 V	torque	20 Nm
Current	110 A	110 A	110 A	110 A	110 A	inertia	0,025 kgm <sup>2</sup>
Power	2,20 kW	3,50 kW	4,74 kW	5,97 kW	7,22 kW	inductance	0,019 mH
Speed	1080 min <sup>-1</sup>	1700 min <sup>-1</sup>	2300 min <sup>-1</sup>	2870 min <sup>-1</sup>	3480 min <sup>-1</sup>	resistance	16 mOhm
Operation mode	S1	S1	S1	S1	S1	system of protection	IP 20
Short time operation	200 A	S2 - 10 min				weight	11 kg
Torque	38 Nm						



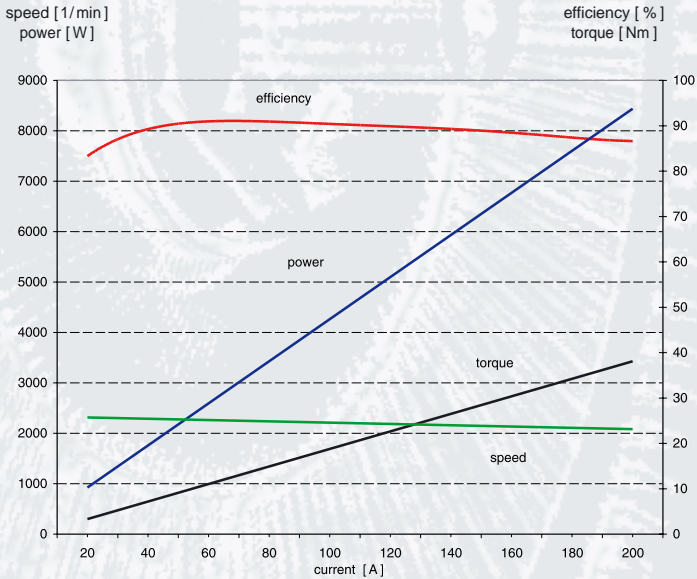
## PMG 132 - 24 V



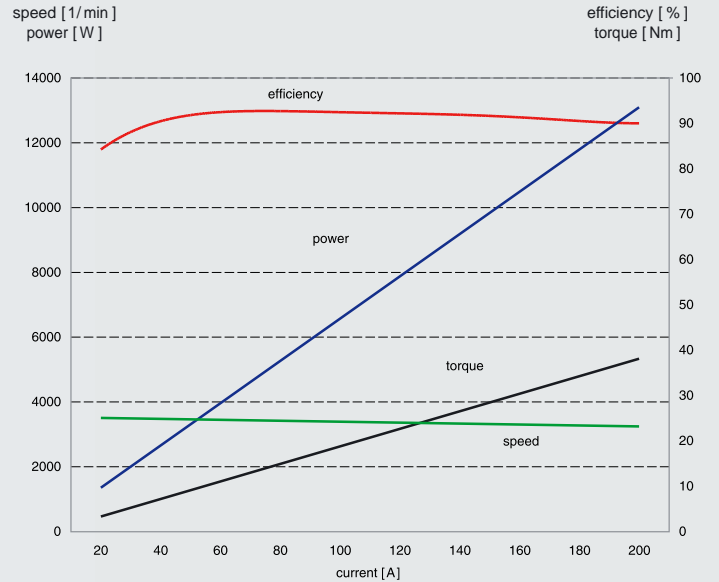
## PMG 132 - 36 V



## PMG 132 - 48 V



## PMG 132 - 72 V



Kesslerstrasse 1-3  
D-79206 Breisach

Telefon +49 (0)7667 / 90 63-0  
Telefax +49 (0)7667 / 90 63-29

e-mail: [info@perm-motor.de](mailto:info@perm-motor.de)  
[www.perm-motor.de](http://www.perm-motor.de)