

# Condensed Power for Mobile Applications



## Permanent Magnet DC - Motor

Disc-Motors with patented rotor technology and high efficiency

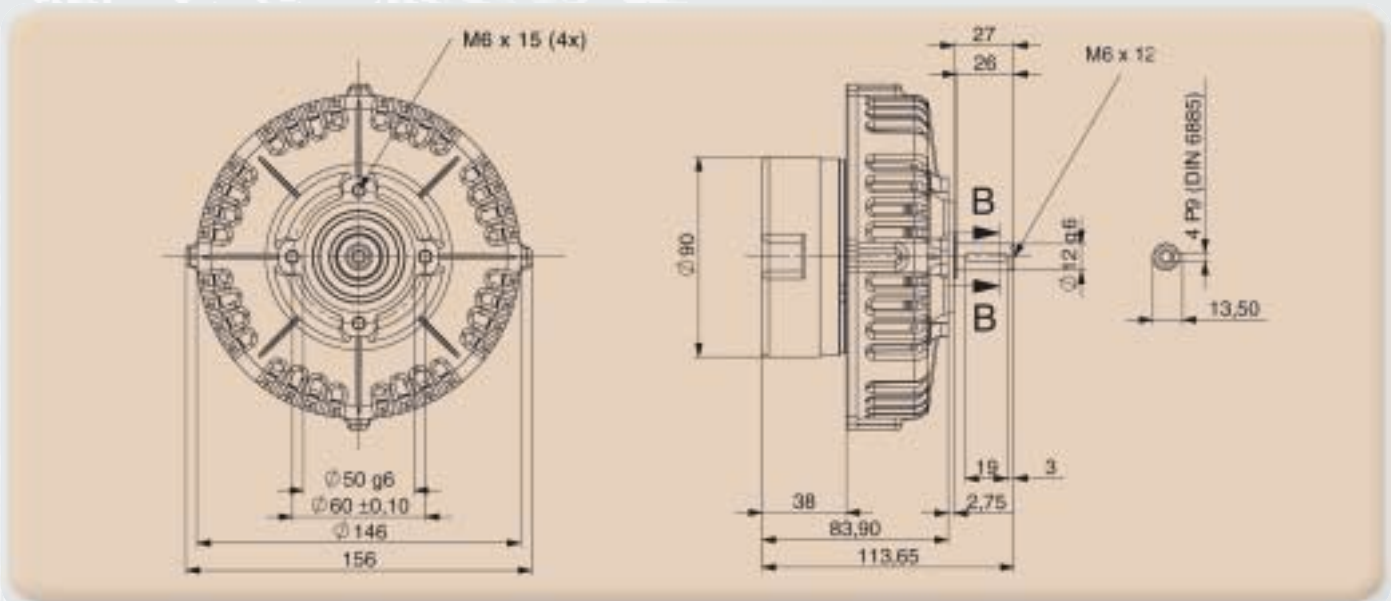
From 12 Volt to 24 Volt DC, for all battery-powered applications

### Advantages:

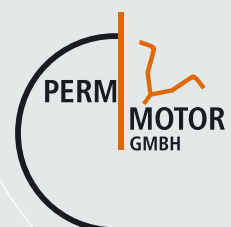
- low weight
- high efficiency
- high torque
- simplified control
- energy recuperation in generator mode



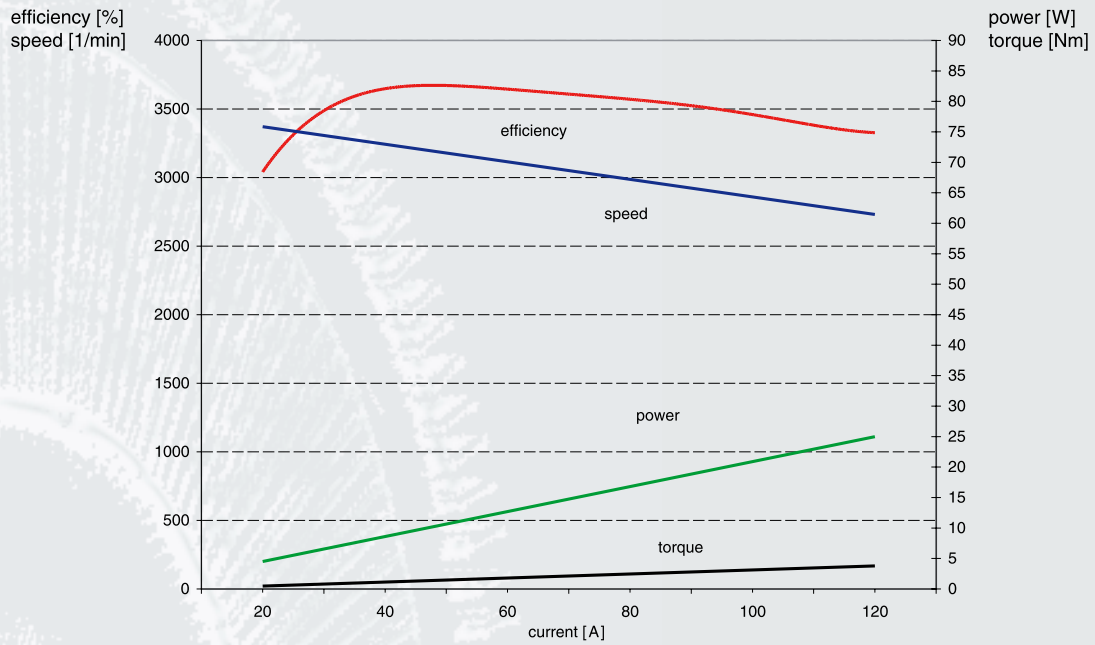
**PMG 080**



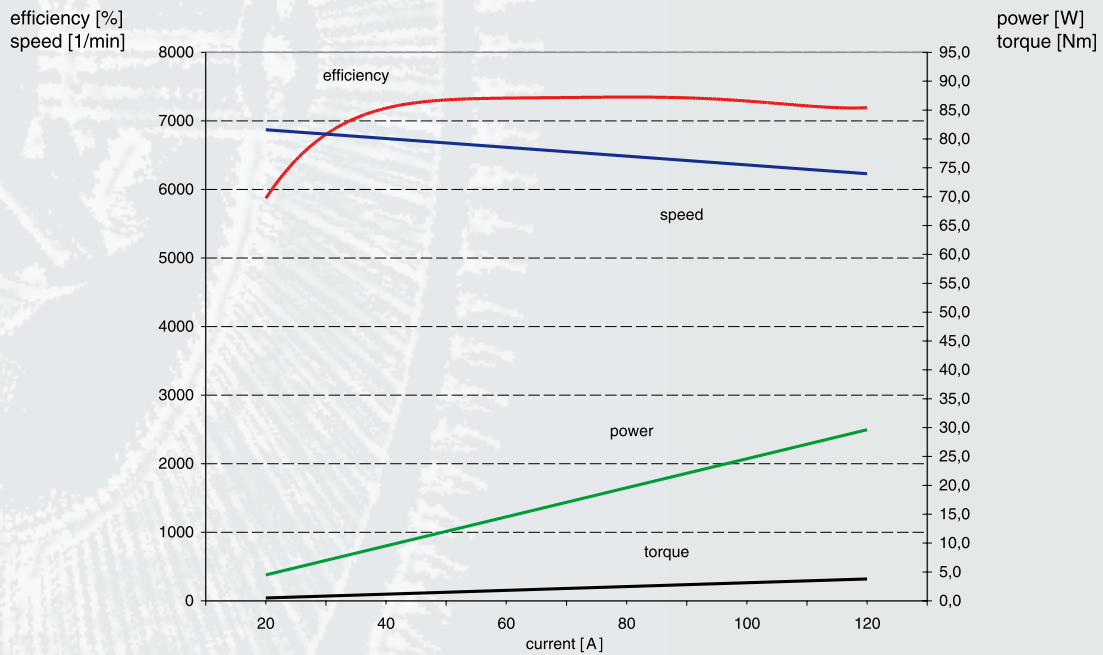
Operation mode	S1	S1	inertia	0,0021 kgm <sup>2</sup>
Voltage	12 V	24 V	inductance	0,0026 mH
Current	78 A	78 A	resistance	9,0 mOhm
Speed	3000 min <sup>-1</sup>	6500 min <sup>-1</sup>	system of protection	IP 20
Torque	2,4 Nm	2,4 Nm	weight	3,4 kg
Power	0,75 kW	1,6 kW		
Short time operation	115 A	S2 - 10min	3,5 Nm	



## PMG 080 - 12 V



## PMG 080 - 24 V



Kesslerstrasse 1-3  
D - 79206 Breisach

Telefon +49 (0)7667/90 63-0  
Telefax +49 (0)7667/90 63-29

e-mail: [info@perm-motor.de](mailto:info@perm-motor.de)  
[www.perm-motor.de](http://www.perm-motor.de)