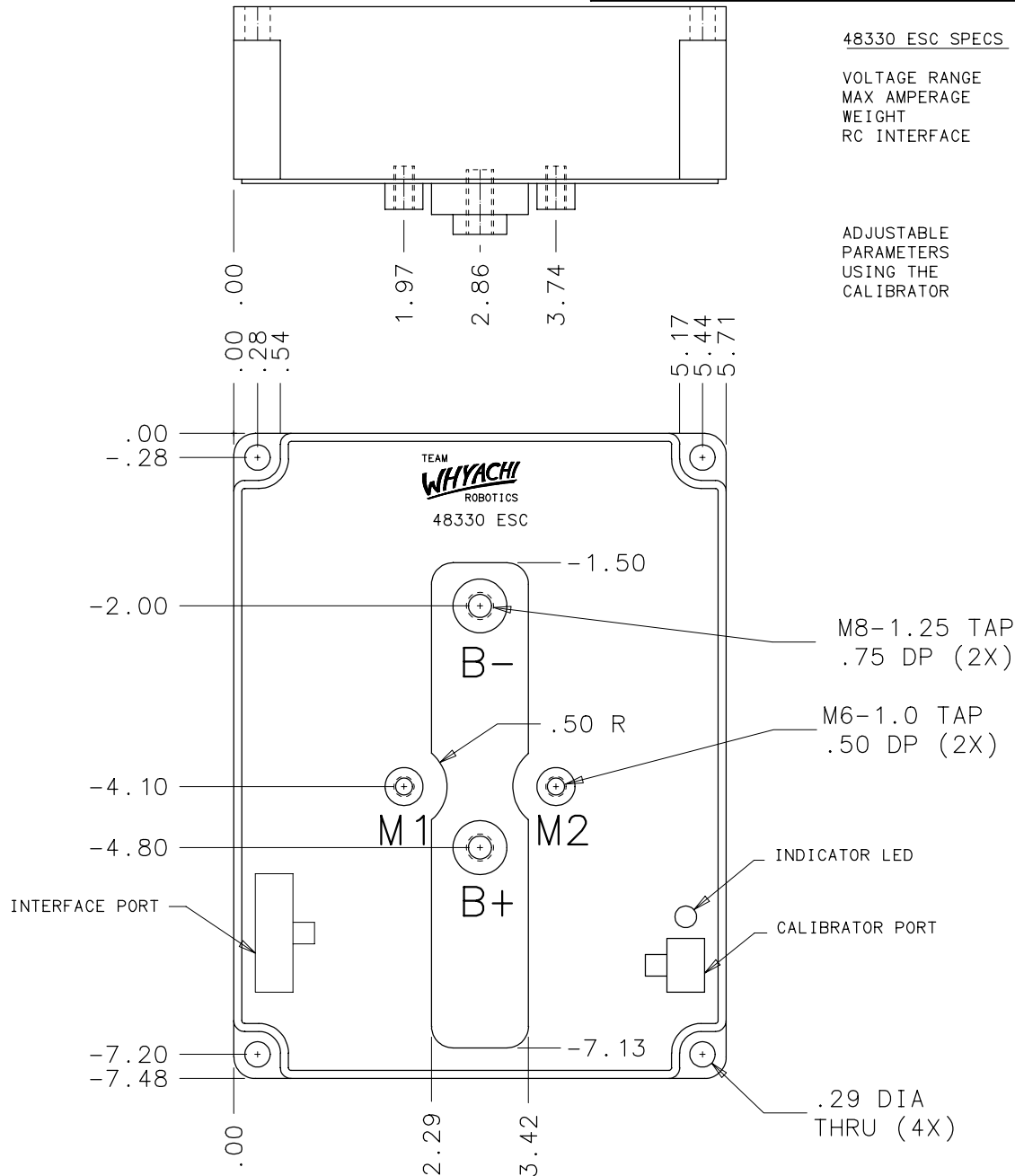


Scale HALF	Dr By TSE	TEAM <b>WHYACHI</b> ROBOTICS	814 E. FIRST AVE. DORCHESTER, WI.	A 48330 ESC	OF B
Date 2-26-2002	Chk By			SIZE	REV.
THIS DRAWING AND ALL INFORMATION PRESENTED IS THE PROPERTY OF TEAM WHYACHI LLC AND IS STRICTLY CONFIDENTIAL. IT SHALL NOT BE COPIED REPRODUCED OR REVEALED WITHOUT WRITTEN CONSENT. THIS DRAWING MUST BE RETURNED UPON REQUEST.			TOLERANCE (EXCEPT AS NOTED) .0 — .032 .00 — .015 .000 — .005	TITLE: 48 VDC - 330 A CONTROL	
			FOR:	DESCRIPTION	
			QTY.	TWR IDENTIFICATION NO.	



48330 ESC SPECS

VOLTAGE RANGE 14.5 - 58 VDC  
 MAX AMPERAGE 330 A  
 WEIGHT 6.3 LB  
 RC INTERFACE FUTABA J CONNECTOR  
 REQUIRES 5 VDC FROM Rx  
 INTERFACE IS CONNECTED TO THE CONTROL WITH A PLUG

ADJUSTABLE PARAMETERS USING THE CALIBRATOR

CURRENT LIMIT  
 REGEN BRAKING AMOUNT  
 ACCEL DELAY  
 DECEL DELAY  
 MAX SPEED  
 ACCEL CURVE

