



Isolated High Side FET Driver

FEATURES

- Receives Both Power and Signal Across the Isolation Boundary
- 9 to 15 Volt High Level Gate Drive
- Under-voltage Lockout
- Programmable Over-current Shutdown and Restart
- Output Enable Function

DESCRIPTION

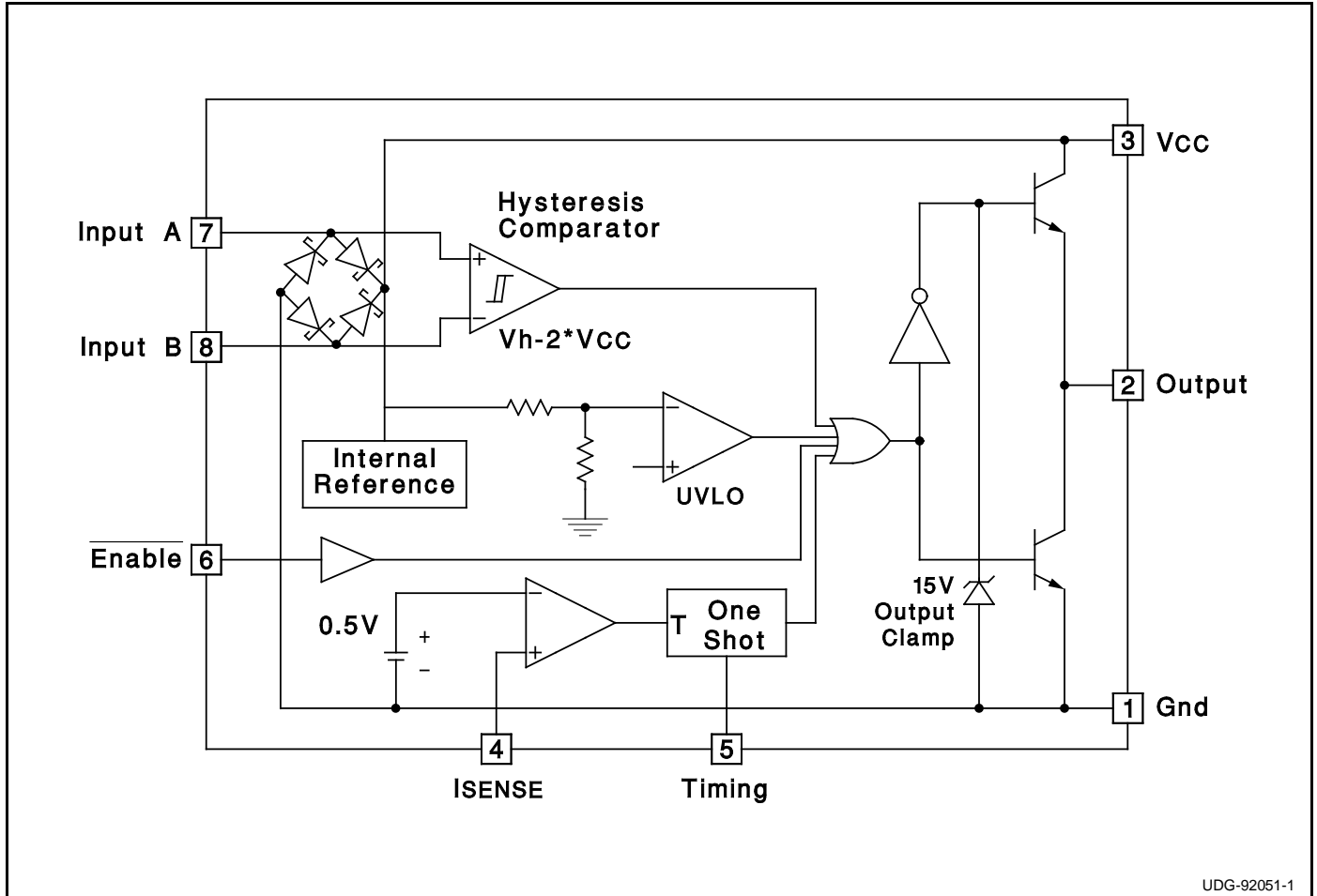
The UC1725 and its companion chip, the UC1724, provide all the necessary features to drive an isolated MOSFET transistor from a TTL input signal. A unique modulation scheme is used to transmit both power and signals across an isolation boundary with a minimum of external components.

Protection circuitry, including under-voltage lockout, over-current shutdown, and gate voltage clamping provide fault protection for the MOSFET. High level gate drive is guaranteed to be greater than 9 volts and less than 15 volts under all conditions.

Uses include isolated off-line full bridge and half bridge drives for driving motors, switches, and any other load requiring full electrical isolation.

The UC1725 is characterized for operation over the full military temperature range of -55°C to +125°C while the UC2725 and UC3725 are characterized for -25°C to +85°C and 0°C to +70°C respectively.

BLOCK DIAGRAM



ABSOLUTE MAXIMUM RATINGS

Supply Voltage (pin 3)	30V
Power inputs (pins 7 & 8)	30V
Output current, source or sink (pin 2)	
DC	0.5A
Pulse (0.5 us)	2.0A
Enable and Current limit inputs (pins 4 & 6)	-0.3 to 6V
Power Dissipation at TA ≤ 25°C (DIL-8)	1W
Power Dissipation at TA ≤ 25°C (SO-14)	725mW
Lead Temperature (Soldering, 10 Seconds)	300°C

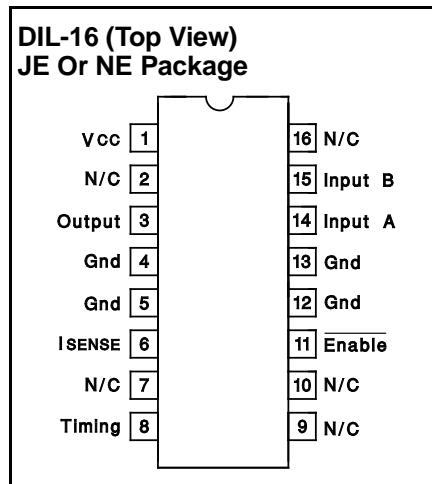
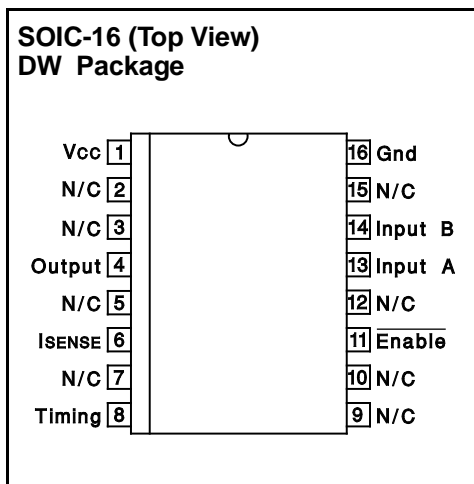
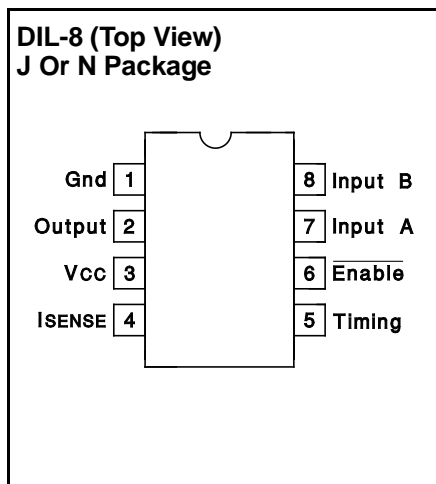
Note 1: Unless otherwise indicated, voltages are referenced to ground and currents are positive into, negative out of, the specified terminals (pin numbers refer to DIL-8 package).

Note 2: See Unitorde Integrated Circuits databook for information regarding thermal specifications and limitations of packages.

CONNECTION DIAGRAMS

**PLCC-20 (Top View)
Q Package**

PACKAGE PIN FUNCTION	
FUNCTION	PIN
N/C	1
I _{SENSE}	2
N/C	3-5
Timing	6
Enable	7
N/C	8-9
Input A	11
N/C	12-14
Input B	15
Gnd	16
V _{CC}	17
N/C	18-19
Output	20



ELECTRICAL CHARACTERISTICS: (Unless otherwise stated, these specifications apply for -55°C ≤ TA ≤ +125°C for UC1725; -25°C ≤ TA ≤ +85°C for UC2725; 0°C ≤ TA ≤ +70°C for UC3725; V_{CC} (pin 3) = 0 to 15V, RT=10k, CT=2.2nf, TA = TJ, pin numbers refer to DIL-8 package.)

PARAMETER	TEST CONDITIONS	MIN	TYP	MAX	UNITS
POWER INPUT SECTION (PINS 7 & 8)					
Forward Diode Drop, Schottky Rectifier	IF = 50ma		.55	.7	V
	IF = 500ma		1.1	1.5	V
CURRENT LIMIT SECTION (PIN 4)					
Input bias current	V _{PIN4} = OV		-1	-10	μA
Threshold voltage		0.4	0.5	0.6	V
Delay to outputs	V _{PIN4} = 0 to 1V		100	250	ns
TIMING SECTION (PIN 5)					
Output Off Time		27	30	33	μs
Upper Mono Threshold		6.3	7.0	7.7	V
Lower Mono Threshold		1.9	2.0	2.3	V
HYSTERESIS AMPLIFIER (PINS 7 & 8)					
Input Open Circuit Voltage	Inputs (pins 7 & 8), Open Circuited, TA= 25°C	7.0	V _{CC} /2	8.0	V
Input Impedance	TA = 25°C	23	28	33	kΩ
Hysteresis		26.5	2*V _{CC}	30.5	V
Delay to Outputs	V _{PIN7} - V _{PIN8} = V _{CC} + 1V		100	300	ns

ELECTRICAL CHARACTERISTICS (cont.)

(Unless otherwise stated, these specifications apply for $-55^{\circ}\text{C} \leq T_A \leq +125^{\circ}\text{C}$ for UC1725; $-25^{\circ}\text{C} \leq T_A \leq +85^{\circ}\text{C}$ for UC2725; $0^{\circ}\text{C} \leq T_A \leq +70^{\circ}\text{C}$ for UC3725; V_{CC} (pin 3) = 0 to 15V, $R_t = 10\text{k}$, $C_T = 2.2\text{nf}$, $T_A = T_J$, pin numbers refer to DIL-8 package.)

PARAMETER	TEST CONDITIONS	MIN	TYP	MAX	UNITS
ENABLE SECTION (PIN 6)					
High Level Input Voltage		2.1	1.4		V
Low Level Input Voltage			1.4	.8	V
Input Bias Current			-250	-500	μA
OUTPUT SECTION					
Output Low Level	$I_{OUT} = 20\text{mA}$		0.35	0.5	V
	$I_{OUT} = 200\text{mA}$		0.6	2.5	V
Output High Level	$I_{OUT} = -20\text{mA}$	13	13.5		V
	$I_{OUT} = -200\text{mA}$	12	13.4		V
	$V_{CC} = 30\text{V}$, $I_{OUT} = -20\text{mA}$		14	15	V
Rise/Fall Time	$C_T = 1\text{nf}$		30	60	ns
UNDER VOLTAGE LOCKOUT					
UVLO Low Saturation	20mA , $V_{CC} = 8\text{V}$		0.8	1.5	V
Start-up Threshold		11.2	12	12.6	V
Threshold Hysteresis		.75	1.0	1.12	V
TOTAL STANDBY CURRENT					
Supply Current			12	16	ma

APPLICATION AND OPERATION INFORMATION

INPUTS: Figure 1 shows the rectification and detection scheme used in the UC1725 to derive both power and signal information from the input waveform. V_{CC} is generated by peak detecting the input signal via the internal bridge rectifier and storing on a small external capacitor, C_1 . Note that this capacitor is also used to bypass high pulse currents in the output stage, and therefore should be placed directly between pins 1 and 3 using minimal lead lengths.

add a damping resistor across the transformer secondary to minimize ringing and eliminate false triggering of the hysteresis amplifier as shown in Figure 3.

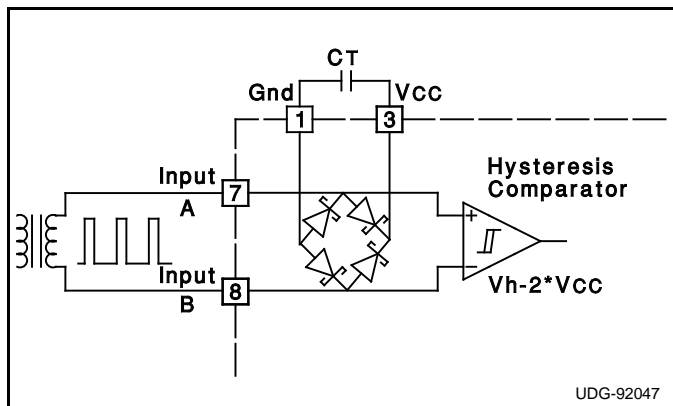


FIGURE 1 - Input Stage

Signal detection is performed by the internal hysteresis comparator which senses the polarity of the input signal as shown in Figure 2. This is accomplished by setting (resetting) the comparator only if the input signal exceeds V_{CC} ($-V_{CC}$). In some cases it may be necessary to

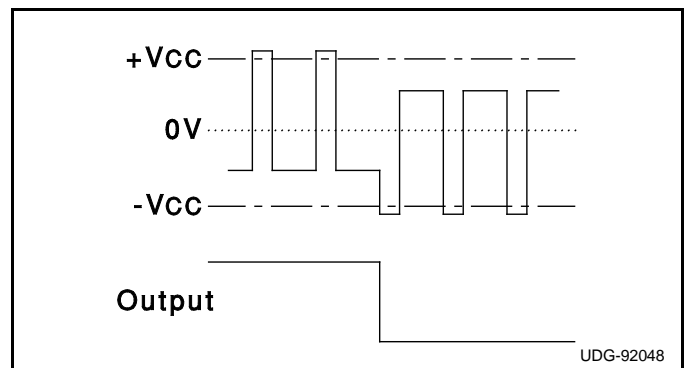


FIGURE 2 - Input Waveform (DIL-8 Pin 7 - Pin 8)

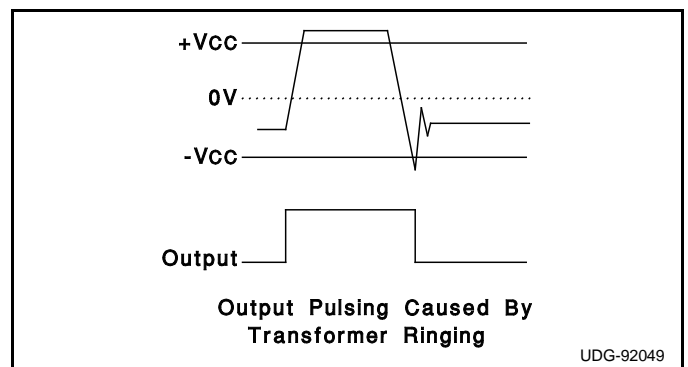


FIGURE 3 - Signal Detection

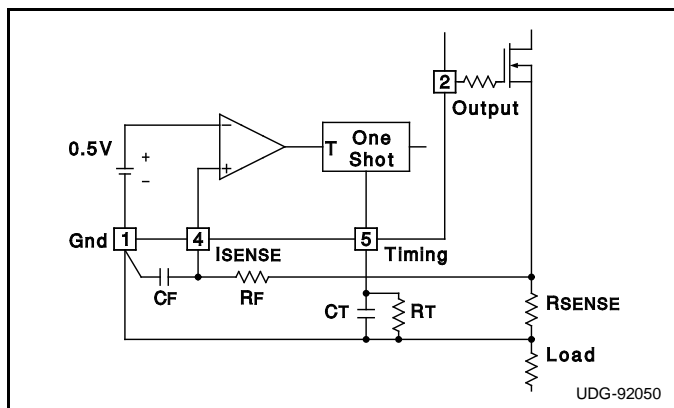


FIGURE 4 - Current Limit

CURRENT LIMIT AND TIMING: Current sensing and shutdown can be implemented directly at the output using the scheme shown in Figure 4. Alternatively, a current transformer can be used in place of RSENSE. A small RC filter in series with the input (pin 4) is generally needed to eliminate the leading edge current spike caused by parasitic circuit capacitances being charged during turn on. Due to the speed of the current sense circuit, it is very important to ground CF directly to Gnd as shown to eliminate false triggering of the one shot caused by ground drops.

One shot timing is easily programmed using an external

capacitor and resistor as shown in Figure 4. This, in turn, controls the output off time according to the formula:

$$T_{OFF} = 1.28 \cdot RC.$$

If current limit feature is not required, simply ground pin 4 and leave pin 5 open.

OUTPUT: Gate drive to the power FET is provided by a totem pole output stage capable of sourcing and sinking currents in excess of 1 amp. The undervoltage lockout circuit guarantees that the high level output will never be less than 9 volts. In addition, during undervoltage lockout, the output stage will actively sink current to eliminate the need for an external gate to source resistor. High level output is also clamped to 15 volts. Under high capacitive loading however, the output may overshoot 2 to 3 volts, due to the drivers' inability to switch from full to zero output current instantaneously. In a practical circuit this is not normally a concern. A few ohms of series gate resistance is normally required to prevent parasitic oscillations, and will also eliminate overshoot at the gate.

ENABLE: An enable pin is provided as a fast, digital input that can be used in a number of applications to directly switch the output. Figure 6 shows a simple means of providing a fast, high voltage translation by using a small signal, high voltage transistor in a cascode configuration. Note that the UC1725 is still used to provide power, drive and protection circuitry for the power FET.

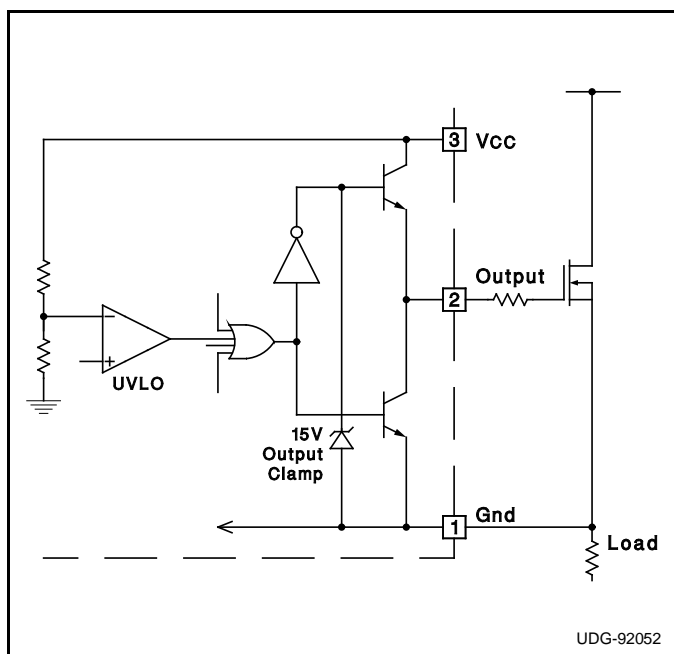


FIGURE 5 - Output Circuit

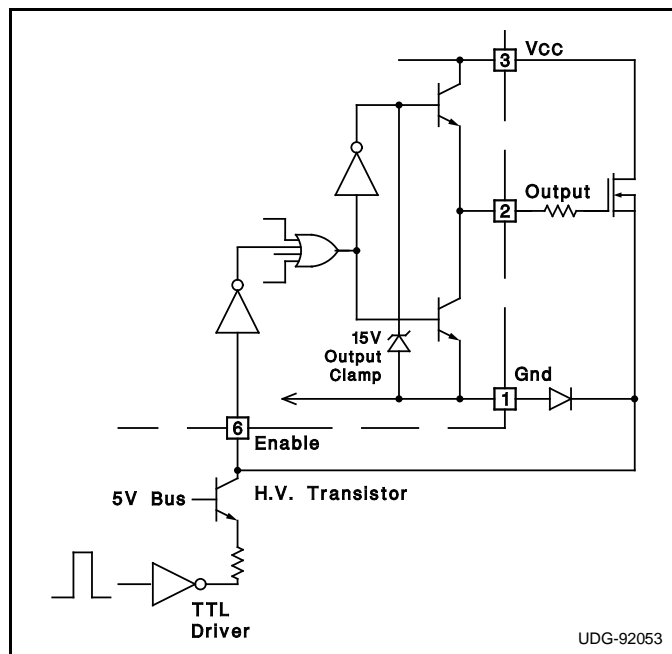


FIGURE 6 - Using Enable Pin as a High Speed Input Path

IMPORTANT NOTICE

Texas Instruments and its subsidiaries (TI) reserve the right to make changes to their products or to discontinue any product or service without notice, and advise customers to obtain the latest version of relevant information to verify, before placing orders, that information being relied on is current and complete. All products are sold subject to the terms and conditions of sale supplied at the time of order acknowledgement, including those pertaining to warranty, patent infringement, and limitation of liability.

TI warrants performance of its semiconductor products to the specifications applicable at the time of sale in accordance with TI's standard warranty. Testing and other quality control techniques are utilized to the extent TI deems necessary to support this warranty. Specific testing of all parameters of each device is not necessarily performed, except those mandated by government requirements.

CERTAIN APPLICATIONS USING SEMICONDUCTOR PRODUCTS MAY INVOLVE POTENTIAL RISKS OF DEATH, PERSONAL INJURY, OR SEVERE PROPERTY OR ENVIRONMENTAL DAMAGE ("CRITICAL APPLICATIONS"). TI SEMICONDUCTOR PRODUCTS ARE NOT DESIGNED, AUTHORIZED, OR WARRANTED TO BE SUITABLE FOR USE IN LIFE-SUPPORT DEVICES OR SYSTEMS OR OTHER CRITICAL APPLICATIONS. INCLUSION OF TI PRODUCTS IN SUCH APPLICATIONS IS UNDERSTOOD TO BE FULLY AT THE CUSTOMER'S RISK.

In order to minimize risks associated with the customer's applications, adequate design and operating safeguards must be provided by the customer to minimize inherent or procedural hazards.

TI assumes no liability for applications assistance or customer product design. TI does not warrant or represent that any license, either express or implied, is granted under any patent right, copyright, mask work right, or other intellectual property right of TI covering or relating to any combination, machine, or process in which such semiconductor products or services might be or are used. TI's publication of information regarding any third party's products or services does not constitute TI's approval, warranty or endorsement thereof.