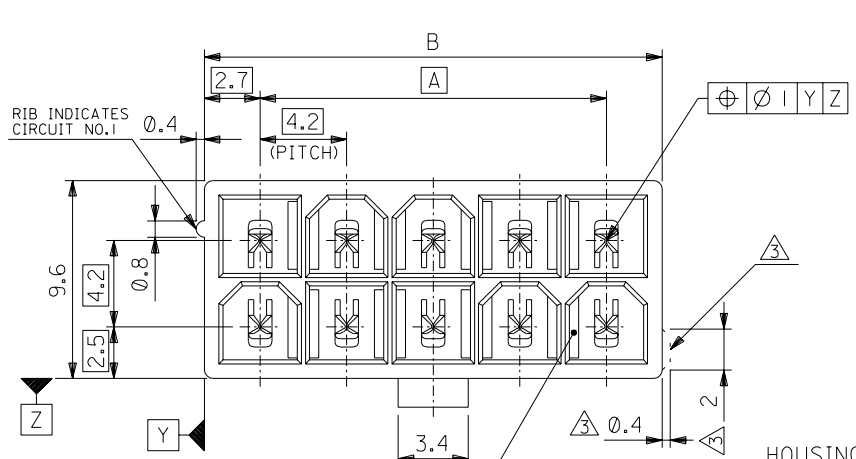
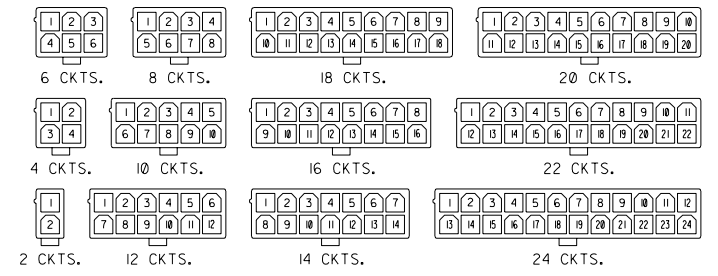


DWC. NO. SD-5566-N****-*

DIMENSIONS IN METRIC DO NOT SCALE DRAWING

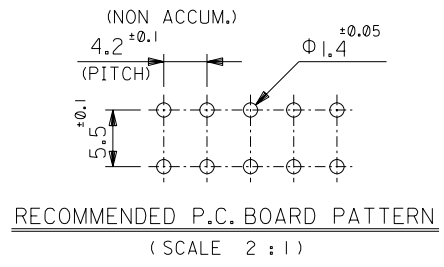
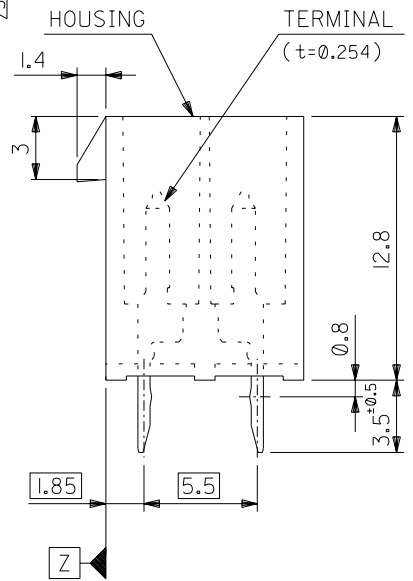
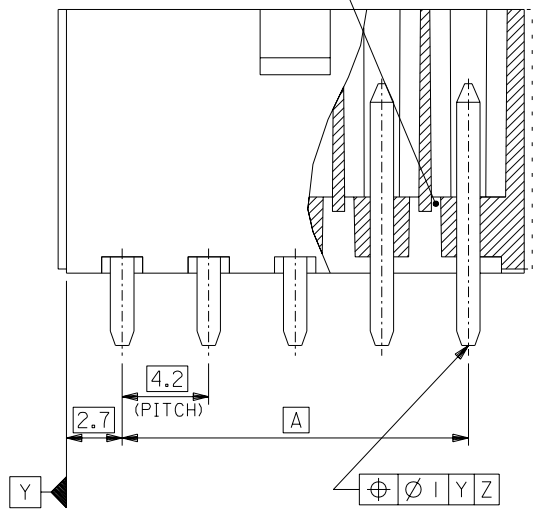


51.6	46.2	24
47.4	42	22
43.2	37.8	20
39	33.6	18
34.8	29.4	16
30.6	25.2	14
26.4	21	12
22.2	16.8	10
18	12.6	8
13.8	8.4	6
9.6	4.2	4
5.4	—	2
DIM. B	DIM. A	CKT. SIZE



CIRCUIT SIZE LAYOUT
(SCALE 1:1)

DRAIN HOLES
(OPTION : SEE NOTE 2)



NOTES

- MATE WITH : 5557 SERIES
 - LEGEND
- BASE NUMBER 5566 - N * * * - *
- CIRCUIT SIZE _____
- ASS'Y TYPE _____
- A : WITHOUT DRAIN HOLES
 - B : WITH DRAIN HOLES
- TERMINAL MATERIAL _____
- "BLANK" : BRASS
- PB : PHOSPHOR BRONZE
- TERMINAL PLATING _____
- "BLANK" : BRIGHT TIN 0.9μm MIN. OVER COPPER 0.5μm MIN. (BRASS)
TIN 0.9μm MIN. REFLOW TREATMENT
OR BRIGHT TIN 0.9μm MIN. (PHOSPHOR BRONZE)
- S : BRIGHT TIN 2.54μm MIN. OVER NICKEL 1.27μm MIN.
- GS : SELECT GOLD 0.76μm MIN. AND SELECT PURE TIN 2.54μm MIN. OVER NICKEL 1.27μm MIN.
- GS2 : SELECT GOLD 0.38μm MIN. AND SELECT PURE TIN 2.54μm MIN. OVER NICKEL 1.27μm MIN.
- HOUSING MATERIAL _____
- "BLANK" : NYLON 66, UL94V-2
- 210 : NYLON 66, UL94V-0
- 310 : G.F. 30% PCT, UL94V-0
- 400 : NYLON 66, UL94V-0, BLACK
- EXTERNAL RIB APPEARS ON MX-USA PARTS ONLY.

5566-N****	J	REVISED (J2004-4416)	M.N. K.T	04/5/25	材料 MATERIAL	SEE NOTE 2	MOLEX-JAPAN CO.,LTD. 日本モレックス株式会社
MODEL NO.	H	REVISED (J40308)	H.H. M.F	94/4/19	仕上げ FINISH	SEE NOTE 2	
角度 ANGLE	+3°	G	REVISED (J10190)	H.H. Y.Y	9/3/7	適用電線範囲 WIRE RANGE	REVISION 名称
30 以上 OVER	+0.4	F	REVISED (J00638)	H.H. Y.Y	90/6/8	被覆外径 INS. RANGE	NEW MINI FIT CONNECTOR
10 以上 OVER 30 未満 UNDER	+0.3	E	REVISED (J90681)	H.H. Y.Y	89/8/25		HEADER HOUSING ASS'Y
10 未満 UNDER	+0.2	D	REVISED & REDRAWN (J90237)	H.H. Y.Y	89/4/3	DRAWN BY '89/4/3 H.HIRAMOTO	-LEAD FREE-
一般公差 GENERAL TOLERANCES	記号 LTR	変更内容 REVISION RECORD	DR. CHK.	日付 DATE	尺度 SCALE	4 : 1	DWG. NO. SHEET 1 OF 4 REV J


	8		7		6		5		4		3		2		1		
DWG. NO. SD-5566-N****	NOT TOOLED	5566-24APB-310	NOT TOOLED	5566-24AGS2-310	NOT TOOLED	5566-24AGS-310	NOT TOOLED	5566-24AS-310	NOT TOOLED	5566-24A-310	24						
	↑	↑	↑	↑	↑	↑	↑	↑	↑	↑	↑	↑	↑	↑	↑	↑	↑
		-22APB-310		-22AGS2-310		-22AGS-310		-22AS-310		-22A-310	22						
		-20APB-310		-20AGS2-310		-20AGS-310		-20AS-310		-20A-310	20						
		-18APB-310		-18AGS2-310		-18AGS-310		-18AS-310		-18A-310	18						
		-16APB-310		-16AGS2-310		-16AGS-310		-16AS-310		-16A-310	16						
		-14APB-310		-14AGS2-310		-14AGS-310		-14AS-310		-14A-310	14						
		-12APB-310		-12AGS2-310		-12AGS-310		-12AS-310		-12A-310	12						
		-10APB-310		-10AGS2-310		-10AGS-310		-10AS-310		-10A-310	10						
		-08APB-310		-08AGS2-310		-08AGS-310		-08AS-310		-08A-310	8						
	-06APB-310		-06AGS2-310		-06AGS-310		-06AS-310		-06A-310	6							
	↓	↓	↓	↓	↓	↓	↓	↓	↓	↓	↓	↓	↓	↓	↓	↓	↓
	-04APB-310		-04AGS2-310		-04AGS-310		-04AS-310		-04A-310	4							
	NOT TOOLED	5566-02APB-310	NOT TOOLED	5566-02AGS2-310	NOT TOOLED	5566-02AGS-310	NOT TOOLED	5566-02AS-310	NOT TOOLED	5566-02A-310	2						
E	EDP NO.	ENG. NO.	EDP NO.	ENG. NO.	EDP NO.	ENG. NO.	EDP NO.	ENG. NO.	EDP NO.	ENG. NO.	CKT. SIZE						
	5566-NAPB-310		5566-NAGS2-310		5566-NAGS-310		5566-NAS-310		5566-NA-310								
	39-29-5247	5566-24APB-210	39-30-9245	5566-24AGS2-210	39-29-6248	5566-24AGS-210	39-30-6242	5566-24AS-210	39-28-8240	5566-24A-210	24						
	↑	↑	↑	↑	↑	↑	↑	↑	↑	↑	↑	↑	↑	↑	↑	↑	
	-5227	-22APB-210	-9225	-22AGS2-210	-6228	-22AGS-210	-6222	-22AS-210	-8220	-22A-210	22						
	-5207	-20APB-210	-9205	-20AGS2-210	-6208	-20AGS-210	-6202	-20AS-210	-8200	-20A-210	20						
	-5187	-18APB-210	-9185	-18AGS2-210	-6188	-18AGS-210	-6182	-18AS-210	-8180	-18A-210	18						
	-5167	-16APB-210	-9165	-16AGS2-210	-6168	-16AGS-210	-6162	-16AS-210	-8160	-16A-210	16						
	-5147	-14APB-210	-9145	-14AGS2-210	-6148	-14AGS-210	-6142	-14AS-210	-8140	-14A-210	14						
	-5127	-12APB-210	-9125	-12AGS2-210	-6128	-12AGS-210	-6122	-12AS-210	-8120	-12A-210	12						
	-5107	-10APB-210	-9105	-10AGS2-210	-6108	-10AGS-210	-6102	-10AS-210	-8100	-10A-210	10						
	-5087	-08APB-210	-9085	-08AGS2-210	-6088	-08AGS-210	-6082	-08AS-210	-8080	-08A-210	8						
	-5067	-06APB-210	-9065	-06AGS2-210	-6068	-06AGS-210	-6062	-06AS-210	-8060	-06A-210	6						
	↓	↓	↓	↓	↓	↓	↓	↓	↓	↓	↓	↓	↓	↓	↓	↓	
	-5047	-04APB-210	-9045	-04AGS2-210	-6048	-04AGS-210	-6042	-04AS-210	-8040	-04A-210	4						
	39-29-5027	5566-02APB-210	39-30-9025	5566-02AGS2-210	39-29-6028	5566-02AGS-210	39-30-6022	5566-02AS-210	39-28-8020	5566-02A-210	2						
	EDP NO.	ENG. NO.	EDP NO.	ENG. NO.	EDP NO.	ENG. NO.	EDP NO.	ENG. NO.	EDP NO.	ENG. NO.	CKT. SIZE						
	5566-NAPB-210		5566-NAGS2-210		5566-NAGS-210		5566-NAS-210		5566-NA-210								
	39-29-5246	5566-24APB	39-30-9244	5566-24AGS2	39-29-0243	5566-24AGS	39-30-6241	5566-24AS	39-28-1243	5566-24A	24						
	↑	↑	↑	↑	↑	↑	↑	↑	↑	↑	↑	↑	↑	↑	↑	↑	
	-5226	-22APB	-9224	-22AGS2	-0223	-22AGS	-6221	-22AS	-1223	-22A	22						
	-5206	-20APB	-9204	-20AGS2	-0203	-20AGS	-6201	-20AS	-1203	-20A	20						
	-5186	-18APB	-9184	-18AGS2	-0183	-18AGS	-6181	-18AS	-1183	-18A	18						
	-5166	-16APB	-9164	-16AGS2	-0163	-16AGS	-6161	-16AS	-1163	-16A	16						
	-5146	-14APB	-9144	-14AGS2	-0143	-14AGS	-6141	-14AS	-1143	-14A	14						
	-5126	-12APB	-9124	-12AGS2	-0123	-12AGS	-6121	-12AS	-1123	-12A	12						
	-5106	-10APB	-9104	-10AGS2	-0103	-10AGS	-6101	-10AS	-1103	-10A	10						
	-5086	-08APB	-9084	-08AGS2	-0083	-08AGS	-6081	-08AS	-1083	-08A	8						
	-5066	-06APB	-9064	-06AGS2	-0063	-06AGS	-6061	-06AS	-1063	-06A	6						
	↓	↓	↓	↓	↓	↓	↓	↓	↓	↓	↓	↓	↓	↓	↓	↓	
	-5046	-04APB	-9044	-04AGS2	-0043	-04AGS	-6041	-04AS	-1043	-04A	4						
	39-29-5026	5566-02APB	39-30-9024	5566-02AGS2	39-29-0023	5566-02AGS	39-30-6021	5566-02AS	39-28-1023	5566-02A	2						
	EDP NO.	ENG. NO.	EDP NO.	ENG. NO.	EDP NO.	ENG. NO.	EDP NO.	ENG. NO.	EDP NO.	ENG. NO.	CKT. SIZE						
	5566-NAPB		5566-NAGS2		5566-NAGS		5566-NAS		5566-NA								

DIMENSIONS IN METRIC DO NOT SCALE DRAWING

5566-N****		J	SEE SHEET 1 OF 4	M.N. K.T.	'04/5/25	材料 MATERIAL	SEE NOTE 2	 MOLEX-JAPAN CO.,LTD. 日本モレックス株式会社
MODEL NO.	H	SEE SHEET 1 OF 4	H.H. M.F.	'94/4/19	仕上げ FINISH	SEE NOTE 2	REVISE ONLY ON CAD SYSTEM	
角度 ANGLE	G	SEE SHEET 1 OF 4	H.H. Y.Y.	'91/3/7	適用電線範囲 WIRE RANGE	—H—	TITLE 名称	
30°以上 OVER	F	SEE SHEET 1 OF 4	H.H. Y.Y.	'90/6/8	被覆外径 INS. RANGE		NEW MINI FIT CONNECTOR	
10°以上 OVER	E	SEE SHEET 1 OF 4	H.H. Y.Y.	'89/8/25			HEADER HOUSING ASS'Y	
未滿 30° UNDER	D	SEE SHEET 1 OF 4	H.H. Y.Y.	'89/4/3			-LEAD FREE-	
未滿 10° UNDER								
一般公差 GENERAL TOLERANCES	記号 LTR	変更内容 REVISION RECORD	DR. CHK.	日付 DATE	尺度 SCALE	—H—	DWG. NO. SHEET 2 OF 4 REV	
							SD-5566-N**** J	

	8		7		6		5		4		3		2		1		
DWG. NO. SD-5566-N****	NOT TOOLED	5566-24BGS2-310	NOT TOOLED	5566-24BGS-310	NOT TOOLED	5566-24BS-310	NOT TOOLED	5566-24BS-310	NOT TOOLED	5566-24B-310	NOT TOOLED	5566-24B-310	NOT TOOLED	5566-24APBS-310	24		
	↑	↑	↑	↑	↑	↑	↑	↑	↑	↑	↑	↑	↑	↑	↑		
		-22BGS2-310		-22BGS-310		-22BS-310		-22BS-310		-22B-310		-22B-310		-22APBS-310	22		
		-20BGS2-310		-20BGS-310		-20BS-310		-20BS-310		-20B-310		-20B-310		-20APBS-310	20		
		-18BGS2-310		-18BGS-310		-18BS-310		-18BS-310		-18B-310		-18B-310		-18APBS-310	18		
		-16BGS2-310		-16BGS-310		-16BS-310		-16BS-310		-16B-310		-16B-310		-16APBS-310	16		
		-14BGS2-310		-14BGS-310		-14BS-310		-14BS-310		-14B-310		-14B-310		-14APBS-310	14		
		-12BGS2-310		-12BGS-310		-12BS-310		-12BS-310		-12B-310		-12B-310		-12APBS-310	12		
		-10BGS2-310		-10BGS-310		-10BS-310		-10BS-310		-10B-310		-10B-310		-10APBS-310	10		
		-08BGS2-310		-08BGS-310		-08BS-310		-08BS-310		-08B-310		-08B-310		-08APBS-310	8		
	-06BGS2-310		-06BGS-310		-06BS-310		-06BS-310		-06B-310		-06B-310		-06APBS-310	6			
	↓	↓	↓	↓	↓	↓	↓	↓	↓	↓	↓	↓	↓	↓			
	-04BGS2-310		-04BGS-310		-04BS-310		-04BS-310		-04B-310		-04B-310		-04APBS-310	4			
NOT TOOLED	5566-02BGS2-310	NOT TOOLED	5566-02BGS-310	NOT TOOLED	5566-02BS-310	NOT TOOLED	5566-02BS-310	NOT TOOLED	5566-02B-310	NOT TOOLED	5566-02B-310	NOT TOOLED	5566-02APBS-310	2			
EDP NO.	ENG. NO.	EDP NO.	ENG. NO.	EDP NO.	ENG. NO.	EDP NO.	ENG. NO.	EDP NO.	ENG. NO.	EDP NO.	ENG. NO.	EDP NO.	ENG. NO.	CKT. SIZE			
5566-NBGS2-310		5566-NBGS-310		5566-NBS-310		5566-NB-310		5566-NAPBS-310									
39-30-9247	5566-24BGS2-210	39-31-0248	5566-24BGS-210	39-31-0242	5566-24BS-210	39-31-0240	5566-24B-210	39-30-6244	5566-24APBS-210	24							
↑	↑	↑	↑	↑	↑	↑	↑	↑	↑	↑							
	-9227		-9228		-9222		-9220		-6224								
	-9207		-9208		-9202		-9200		-6204								
	-9187		-9188		-9182		-9180		-6184								
	-9167		-9168		-9162		-9160		-6164								
	-9147		-9148		-9142		-9140		-6144								
	-9127		-9128		-9122		-9120		-6124								
	-9107		-9108		-9102		-9100		-6104								
	-9087		-9088		-9082		-9080		-6084								
	-9067		-9068		-9062		-9060		-6064								
	↓	↓	↓	↓	↓	↓	↓	↓	↓	↓							
	-9047		-9048		-9042		-9040		-6044								
39-30-9027	5566-02BGS2-210	39-31-0028	5566-02BGS-210	39-31-0022	5566-02BS-210	39-31-0020	5566-02B-210	39-30-6024	5566-02APBS-210	2							
EDP NO.	ENG. NO.	EDP NO.	ENG. NO.	EDP NO.	ENG. NO.	EDP NO.	ENG. NO.	EDP NO.	ENG. NO.	CKT. SIZE							
5566-NBGS2-210		5566-NBGS-210		5566-NBS-210		5566-NB-210		5566-NAPBS-210									
39-30-9246	5566-24BGS2	39-31-0247	5566-24BGS	39-31-0241	5566-24BS	39-29-3246	5566-24B	39-30-6243	5566-24APBS	24							
↑	↑	↑	↑	↑	↑	↑	↑	↑	↑	↑							
	-9226		-9227		-9221		-9226		-6223								
	-9206		-9207		-9201		-3206		-6203								
	-9186		-9187		-9181		-3186		-6183								
	-9166		-9164		-9161		-3166		-6163								
	-9146		-9147		-9141		-3146		-6143								
	-9126		-9127		-9121		-3126		-6123								
	-9106		-9107		-9101		-3106		-6103								
	-9086		-9087		-9081		-3086		-6083								
	-9066		-9067		-9061		-3066		-6063								
	↓	↓	↓	↓	↓	↓	↓	↓	↓	↓							
	-9046		-9047		-9041		-3046		-6043								
39-30-9026	5566-02BGS2	39-31-0027	5566-02BGS	39-31-0021	5566-02BS	39-29-3026	5566-02B	39-30-6023	5566-02APBS	2							
EDP NO.	ENG. NO.	EDP NO.	ENG. NO.	EDP NO.	ENG. NO.	EDP NO.	ENG. NO.	EDP NO.	ENG. NO.	CKT. SIZE							
5566-NBGS2		5566-NBGS		5566-NBS		5566-NB		5566-NAPBS									

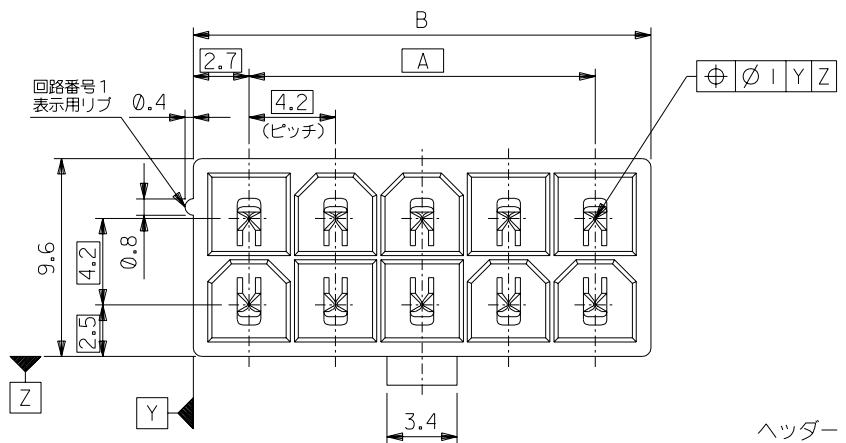
DIMENSIONS IN METRIC DO NOT SCALE DRAWING

5566-N****		J	SEE SHEET 1 OF 4	M.N. K.T.	'04/5/25	材料 MATERIAL	SEE NOTE 2	 MOLEX-JAPAN CO.,LTD. 日本モレックス株式会社
MODEL NO.	H	SEE SHEET 1 OF 4	H.H. M.F.	'94/4/19	仕上げ FINISH	SEE NOTE 2	REVISE ONLY ON CAD SYSTEM	
角度 ANGLE	G	SEE SHEET 1 OF 4	H.H. Y.Y.	'91/3/7	適用電線範囲 WIRE RANGE	—H—	TITLE 名称	
30° OVER	F	SEE SHEET 1 OF 4	H.H. Y.Y.	'90/6/8	被覆外径 INS. RANGE	—H—	NEW MINI FIT CONNECTOR HEADER HOUSING ASS'Y -LEAD FREE-	
10° OVER 30° UNDER	E	SEE SHEET 1 OF 4	H.H. Y.Y.	'89/8/25	DRAWN BY '89/4/3 H.HIRAMOTO	CHK'D BY '94/4/20 M.FUKUSHIMA	DWG. NO. SHEET 3 OF 4	
未滿 10° UNDER	D	SEE SHEET 1 OF 4	H.H. Y.Y.	'89/4/3	APP'D BY '94/4/20 M.FUKUSHIMA	尺度 SCALE —H—	REV	
一般公差 GENERAL TOLERANCES	記号 LTR	変更内容 REVISION RECORD	DR. CHK.	日付 DATE			SD-5566-N****	

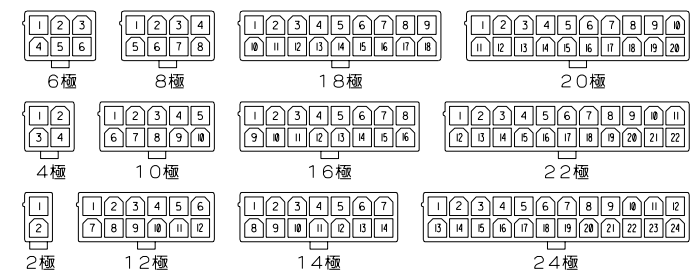
DWG. NO. SD-5566-N****	8		7		6		5		4		3		2		1	
	NOT TOOLED	5566-24BPBS-310	NOT TOOLED	5566-24BPB-310	24											
	▲	▲	▲	▲	22											
		-20BPBS-310		-20BPB-310	20											
		-18BPBS-310		-18BPB-310	18											
		-16BPBS-310		-16BPB-310	16											
		-14BPBS-310		-14BPB-310	14											
		-12BPBS-310		-12BPB-310	12											
		-10BPBS-310		-10BPB-310	10											
		-08BPBS-310		-08BPB-310	8											
		-06BPBS-310		-06BPB-310	6											
	▼	▼	▼	▼	4											
	NOT TOOLED	5566-02BPBS-310	NOT TOOLED	5566-02BPB-310	2											
	EDP NO.	ENG. NO.	EDP NO.	ENG. NO.	CKT. SIZE											
	5566-NBPBS-310				5566-NBPB-310											
	39-31-0246	5566-24BPBS-210	39-31-0244	5566-24BPB-210	24											
	▲	▲	▲	▲	22											
		-0226		-22BPBS-210	22											
		-0206		-20BPBS-210	20											
		-0186		-18BPBS-210	18											
		-0166		-16BPBS-210	16											
		-0146		-14BPBS-210	14											
		-0126		-12BPBS-210	12											
		-0106		-10BPBS-210	10											
	-0086		-08BPBS-210	8												
	-0066		-06BPBS-210	6												
▼	▼	▼	▼	4												
39-31-0026	5566-02BPBS-210	39-31-0024	5566-02BPB-210	2												
EDP NO.	ENG. NO.	EDP NO.	ENG. NO.	CKT. SIZE												
5566-NBPBS-210				5566-NBPB-210												
39-35-0248	5566-24A-400	39-31-0245	5566-24BPBS	39-31-0243	5566-24BPB	24										
▲	▲	▲	▲	▲	▲	22										
	-0228		-22A-400		-22BPB	22										
	-0208		-20A-400		-20BPB	20										
	-0188		-18A-400		-18BPB	18										
	-0168		-16A-400		-16BPB	16										
	-0148		-14A-400		-14BPB	14										
	-0128		-12A-400		-12BPB	12										
	-0108		-10A-400		-10BPB	10										
	-0088		-08A-400		-08BPB	8										
	-0068		-06A-400		-06BPB	6										
▼	▼	▼	▼	▼	▼	4										
39-35-0028	5566-02A-400	39-31-0025	5566-02BPBS	39-31-0023	5566-02BPB	2										
EDP NO.	ENG. NO.	EDP NO.	ENG. NO.	EDP NO.	ENG. NO.	CKT. SIZE										
5566-NA-400		5566-NBPBS			5566-NBPB											

39-35-0248	5566-24A-400	39-31-0245	5566-24BPBS	39-31-0243	5566-24BPB	24	
▲	▲	▲	▲	▲	▲	22	
	-22A-400		-22BPBS		-22BPB	22	
	-20A-400		-20BPBS		-20BPB	20	
	-18A-400		-18BPBS		-18BPB	18	
	-16A-400		-16BPBS		-16BPB	16	
	-14A-400		-14BPBS		-14BPB	14	
	-12A-400		-12BPBS		-12BPB	12	
	-10A-400		-10BPBS		-10BPB	10	
	-08A-400		-08BPBS		-08BPB	8	
	-06A-400		-06BPBS		-06BPB	6	
▼	▼	▼	▼	▼	▼	4	
39-35-0028	5566-02A-400	39-31-0025	5566-02BPBS	39-31-0023	5566-02BPB	2	
EDP NO.	ENG. NO.	EDP NO.	ENG. NO.	EDP NO.	ENG. NO.	CKT. SIZE	
5566-NA-400		5566-NBPBS			5566-NBPB		

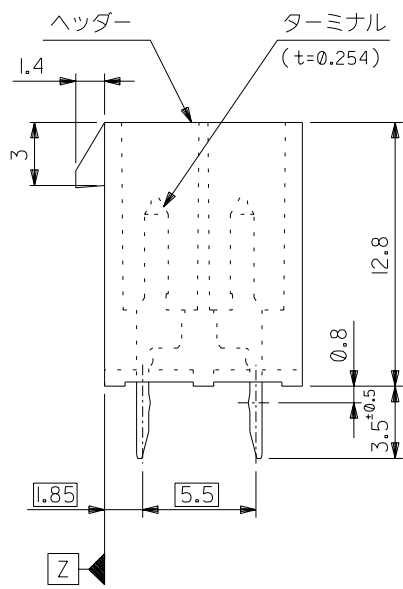
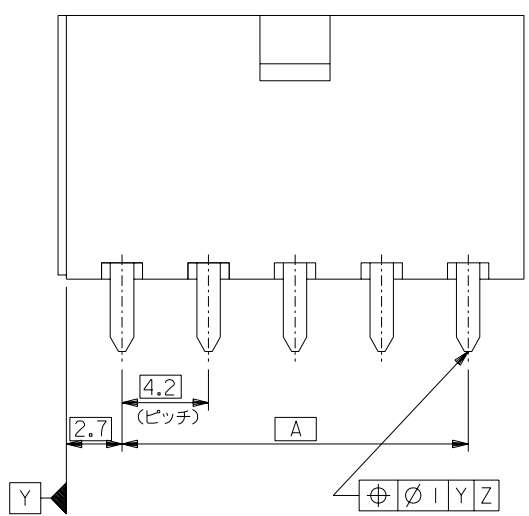
24		材料 MATERIAL		MOLEX-JAPAN CO.,LTD. 日本モレックス株式会社	
5566-N****		J	SEE SHEET 1 OF 4	SEE NOTE 2	
MODEL NO.		H	SEE SHEET 1 OF 4	SEE NOTE 2	
角度 ANGLE	30°	G	SEE SHEET 1 OF 4	適用電線範囲 WIRE RANGE	
以上 OVER	+0.3	F	SEE SHEET 1 OF 4	被覆外径 INS. RANGE	
10 以上 OVER	+0.25	E	SEE SHEET 1 OF 4	DRAWN BY '89/4/3 H.HIRAMOTO	
未滿 UNDER	+0.2	D	SEE SHEET 1 OF 4	CHK'D BY '94/4/20 M.FUKUSHIMA	
10 未滿 UNDER	+0.2	D	SEE SHEET 1 OF 4	APP'D BY '94/4/20 M.FUKUSHIMA	
一般公差 GENERAL TOLERANCES	記号 LTR	変更内容 REVISION RECORD	日付 DATE	尺度 SCALE	—



51.6	46.2	24
47.4	42	22
43.2	37.8	20
39	33.6	18
34.8	29.4	16
30.6	25.2	14
26.4	21	12
22.2	16.8	10
18	12.6	8
13.8	8.4	6
9.6	4.2	4
5.4	—	2
寸法 B	寸法 A	極数

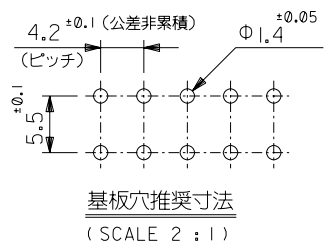


極数別レイアウト図
 (SCALE 1:1)



注記

1. 嵌合相手 : 5557シリーズ
2. 使用符号の説明
 ベースナンバー 5566 - N A * * - *
 極数
 アセンブリ
 ターミナル材料
 "BLANK" : 黄銅
 PB : リン青銅
 ターミナルのメッキ
 "BLANK" : 錫メッキ 0.9μm MIN.
 GS : ニッケル 1.27μm MIN. 全面下地
 コンタクト部 金 0.76μm MIN.
 半田付け部 錫 2.54μm MIN.
 ヘッダー材料
 "BLANK" : ナイロン 66, UL 94V-2
 210 : ナイロン 66, UL 94V-0
 400 : ナイロン 66, UL 94V-0, 黒



		材料 MATERIAL		5566-NA*** MODEL NO.	
		注記 2 参照		MOLEX-JAPAN CO.,LTD. 日本モレックス株式会社	
		仕上げ FINISH 注記 2 参照		EDP. NO. SHEET 2 OF 2 参照	
角度 ANGLE ±3°		適用電線範囲 WIRE RANGE		ENG. NO. SHEET 1 OF 2	
30°以上 OVER ±0.4		被覆外径 INS. RANGE		SD-5566-NA***	
10°以上 30°未満 UNDER ±0.3		DRAWN BY '89/5/7 H.HIRAMOTO		TITLE 名称	
10°未満 UNDER ±0.2		CHK'D BY '91/10/29 M.FUKUSHIMA		NEW MINI FIT CONNECTOR	
一般公差 GENERAL TOLERANCES		REVISION RECORD		HEADER ASS'Y -LEAD FREE-	
		DR. / Y.Y. '90/5/7		尺度 SCALE 4 - 1	
		APP'D BY '91/10/29 M.ENOMOTO			
		REVISE ONLY ON CAD SYSTEM			

8

7

6

5

4

3

2

1

ENG. NO SD-5566-NA***
EDP NO. 表 参照
DIMENSIONS IN METRIC DO NOT SCALE DRAWING

39-35-0248	5566-24A-400	24
▲ -0228	▲ -22A-400	22
-0208	-20A-400	20
-0188	-18A-400	18
-0168	-16A-400	16
-0148	-14A-400	14
-0128	-12A-400	12
-0108	-10A-400	10
-0088	-08A-400	8
-0068	-06A-400	6
▼ -0048	▼ -04A-400	4
39-35-0028	5566-02A-400	2
EDP NO.	ENG. NO	極数
5566-NA-400		極数

39-29-5247	5566-24APB-210	39-29-6248	5566-24AGS-210	39-28-8240	5566-24A-210	24
▲ -5227	▲ -22APB-210	▲ -6228	▲ -22AGS-210	▲ -8220	▲ -22A-210	22
-5207	-20APB-210	-6208	-20AGS-210	-8200	-20A-210	20
-5187	-18APB-210	-6188	-18AGS-210	-8180	-18A-210	18
-5167	-16APB-210	-6168	-16AGS-210	-8160	-16A-210	16
-5147	-14APB-210	-6148	-14AGS-210	-8140	-14A-210	14
-5127	-12APB-210	-6128	-12AGS-210	-8120	-12A-210	12
-5107	-10APB-210	-6108	-10AGS-210	-8100	-10A-210	10
-5087	-08APB-210	-6088	-08AGS-210	-8080	-08A-210	8
-5067	-06APB-210	-6068	-06AGS-210	-8060	-06A-210	6
▼ -5047	▼ -04APB-210	▼ -6048	▼ -04AGS-210	▼ -8040	▼ -04A-210	4
39-29-5027	5566-02APB-210	39-29-6028	5566-02AGS-210	39-28-8020	5566-02A-210	2
EDP NO.	ENG. NO	EDP NO.	ENG. NO	EDP NO.	ENG. NO	極数
5566-NAPB-210		5566-NAGS-210		5566-NA-210		極数
39-29-5246	5566-24APB	39-29-0243	5566-24AGS	39-28-1243	5566-24A	24
▲ -5226	▲ -22APB	▲ -0223	▲ -22AGS	▲ -1223	▲ -22A	22
-5206	-20APB	-0203	-20AGS	-1203	-20A	20
-5186	-18APB	-0183	-18AGS	-1183	-18A	18
-5166	-16APB	-0163	-16AGS	-1163	-16A	16
-5146	-14APB	-0143	-14AGS	-1143	-14A	14
-5126	-12APB	-0123	-12AGS	-1123	-12A	12
-5106	-10APB	-0103	-10AGS	-1103	-10A	10
-5086	-08APB	-0083	-08AGS	-1083	-08A	8
-5066	-06APB	-0063	-06AGS	-1063	-06A	6
▼ -5046	▼ -04APB	▼ -0043	▼ -04AGS	▼ -1043	▼ -04A	4
39-29-5026	5566-02APB	39-29-0023	5566-02AGS	39-28-1023	5566-02A	2
EDP NO.	ENG. NO	EDP NO.	ENG. NO	EDP NO.	ENG. NO	極数
5566-NAPB		5566-NAGS		5566-NA		極数

5566-NA***	材料 MATERIAL	注記 2 参照	MOLEX-JAPAN CO.,LTD. 日本モレックス株式会社	
MODEL NO.	仕上げ FINISH	注記 2 参照	EDP. NO. 表 参照	
角度 ANGLE	適用電線範囲 WIRE RANGE	—H—	ENG. NO.	SHEET 2 OF 2
30以上 OVER	被覆外径 INS. RANGE		SD-5566-NA***	REV F
10以上 30未満 UNDER	記号 変更内容 REVISION RECORD	DR. CHK. DATE	TITLE 名称 NEW MINI FIT CONNECTOR HEADER ASS'Y -LEAD FREE-	
10未満 UNDER	一般公差 GENERAL TOLERANCES	REVISION RECORD	DRAWN BY '90/5/7 H.HIRAMOTO CHK'D BY '91/10/29 M.FUKUSHIMA APP'D BY '91/10/29 尺度 SCALE —H—	
REVISE ONLY ON CAD SYSTEM			M.MENOMOTO	

THIS DRAWING CONTAINS INFORMATION THAT IS PROPRIETARY TO MOLEX(JAPAN) AND SHOULD NOT BE USED WITHOUT WRITTEN PERMISSION
本図面は日本モレックス(株)の所有する情報を含むもので 当社の許可なく複製を禁止する。

MXJ-8

5566.S22