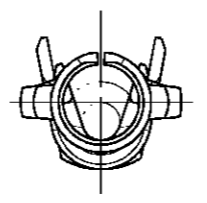
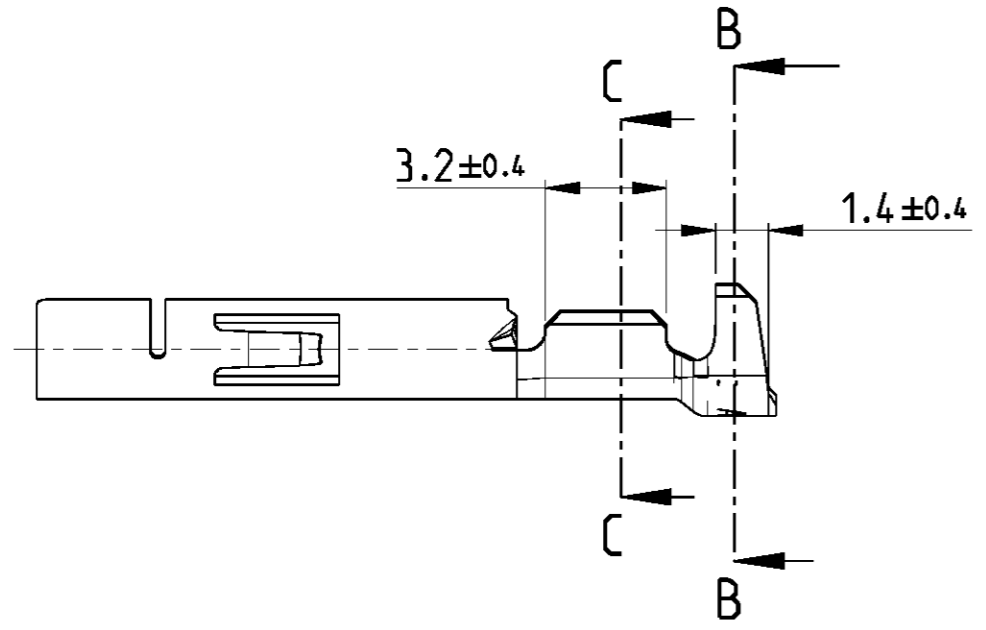


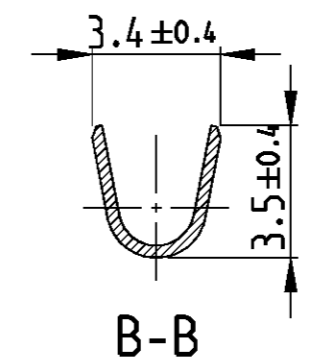
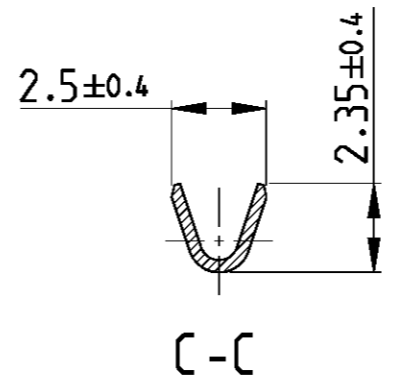
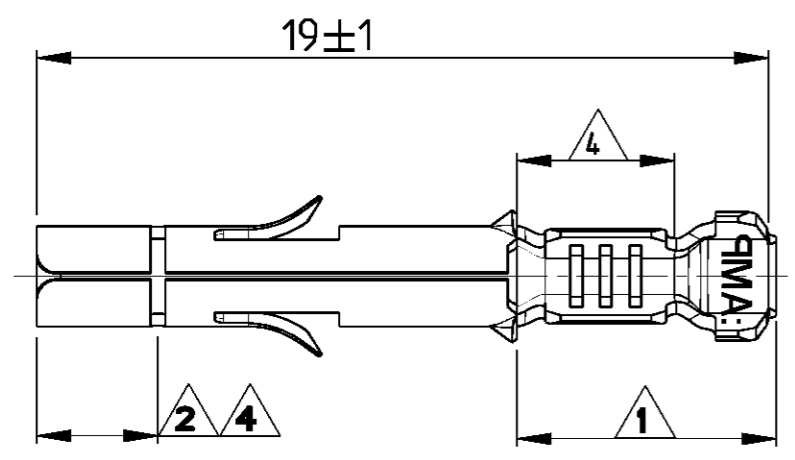
THIS DRAWING IS UNPUBLISHED  
 RELEASED FOR PUBLICATION  
 © COPYRIGHT - BY - ALL RIGHTS RESERVED.

LOC	DIST	REVISIONS			
P	LTR	DESCRIPTION	DATE	DWN	APVD
IR	-	G1	REVISED PER ECO-11-005301	14APR11	RK HMR



Notes:

- 1 Sn over Ni in the crimp zone
- 2 Gold over nickel in the contact zone
- 3. For insulation Ø1.0-2.5mm suitable
- 4 Au over Ni in the wire crimp and contact zones, otherwise 1.3µm Ni



OBSOLETE

1 2	Brass	926895-7
1 2	Phosphor Bronze	926895-6
Pre-tin plated	Phosphor Bronze	926895-3
4	Brass	926895-2
Pre-tin plated	Brass	926895-1
Finish	Material	Part no.
Colour		

DIMENSIONS: mm	TOLERANCES UNLESS OTHERWISE SPECIFIED: ±0.2	DWN	J. Salo	10NOV2008	TE Connectivity						
		CHK	R. Sole	10NOV2008							
	0 PLZ ± 1 P/C ± 2 P/C ± 3 P/C ± 4 P/C ± ANGLES ±1° 30' FINISH See table	APVD	P.F. Grassano	10NOV2008	NAME						
		PRODUCT SPEC	108-1031	APPLICATION SPEC	114-1010	Universal M-N-L socket 0.2-0.8 SQ.MM wire range					
MATERIAL	See table	WEIGHT	-	SIZE	A3	CAGE CODE	-	DRAWING NO	926895	RESTRICTED TO	-
CUSTOMER DRAWING				SCALE	5:1	SHEET	1	OF	1	REV	G1