

## ERRATA

### LabVIEW Programming, Data Acquisition and Analysis (ISBN: 0-13-030367-4)

1. **page 46** The word **pseudo** is misspelled in Figure 4.1.

2. **page 61** The following is the new “Note” at the bottom of the page.

If a 1-D array is wired to the border of the **For Loop** with indexing enabled, it will automatically iterate  $\min(P,Q)$  times, where  $P$  is the size of the array and  $Q$  is the value wired to the count terminal, **N**. If nothing is wired to the count terminal, the **For Loop** will iterate  $P$  times. However, if the indexing is disabled, you must wire an input to the count terminal.

3. **page 66** The figures P4.10 need to be replaced by the following:

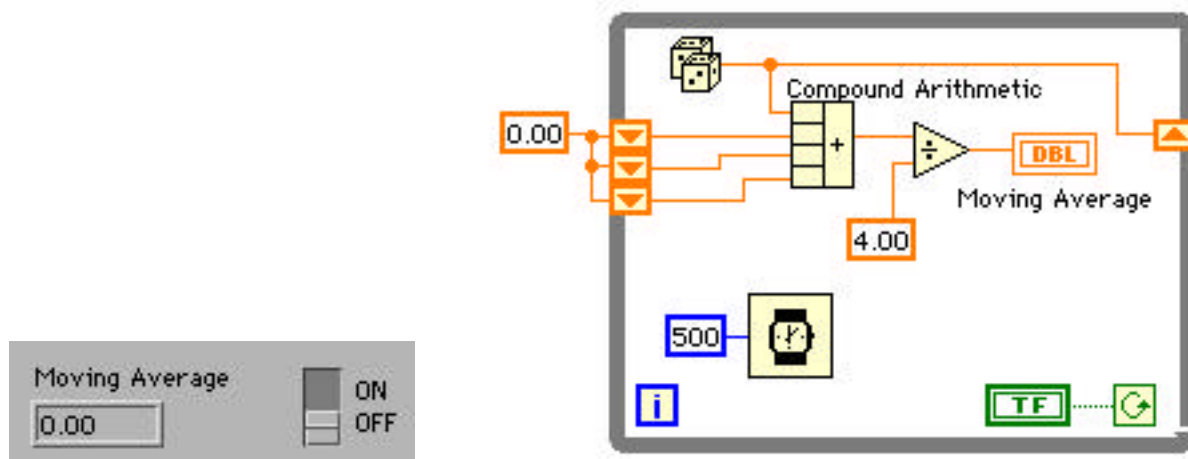


Figure P4.10

4. **page 105** The word **VI** needs to be replaced by *function* in the problem statement in 6.4. The correct sentence is shown below:

Save the VI as **P06\_04.vi**, and explain the functionality of each **function**.

5. **page 219** Add the words in blue color in the first paragraph.

The function **Array To Spreadsheet String** takes an array of numeric **or string** data of any dimension-try three-dimensional numeric **or string** input array-and generates a string that contains the numeric **or string** data using the format specified in **format string**.

**6. page 223** The word *tab* should be in uppercase in the problem statement for Problem 12.2.

Each column is separated by a **TAB** character.

**7. page 313** The word *size* is spelled *siz* in the third line in subsection 15.5.7. The correct third line is shown below:

indeed be the most important rule to be kept if your data **size** becomes large.

**8. page 322** The word “recommend” should be replaced by “recommended” in the third line. Therefore, it should read as follows:

features. As for how to create a stand-alone application, it is recommended

## Hands-on Exercise Manual for LabVIEW Programming, Data Acquisition and Analysis (ISBN: 0-13-030368-2)

**1. page 57** Figure D4.7(c) is incorrect. The correct one is the following:

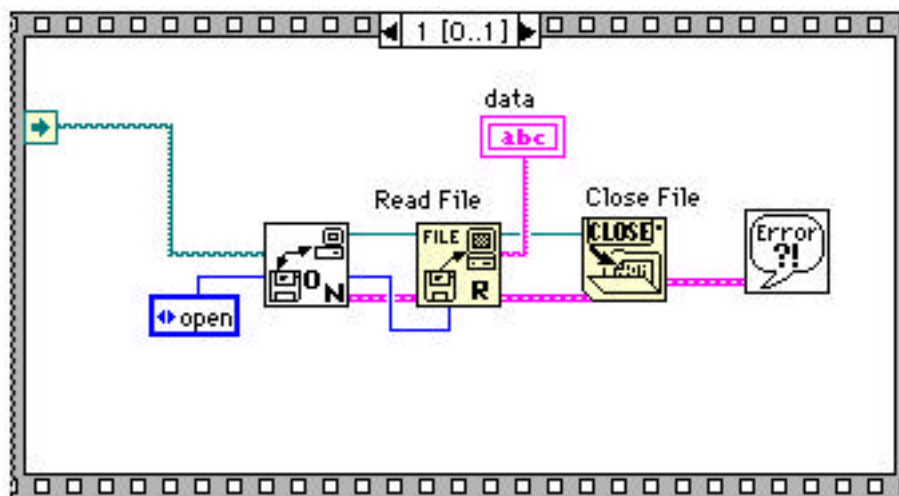


Figure D4.7(c)