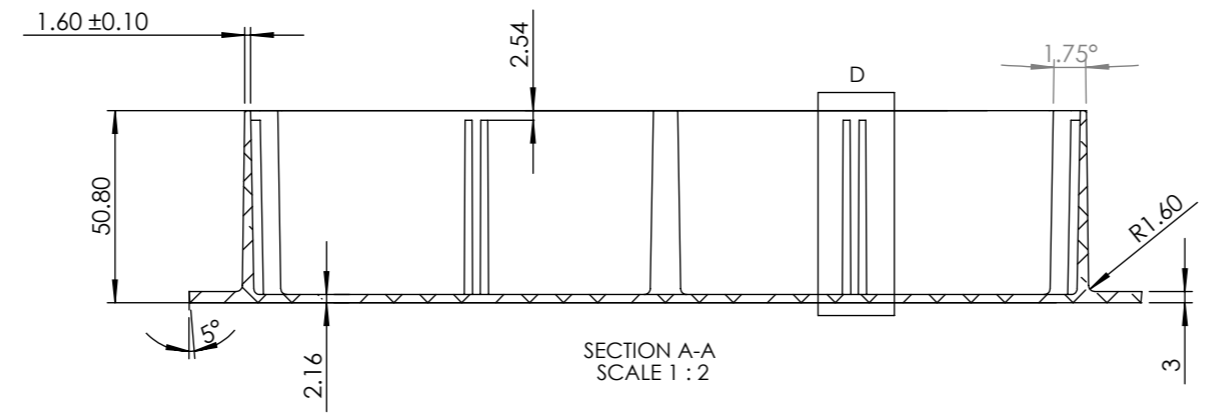
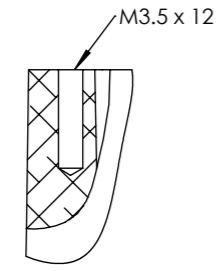
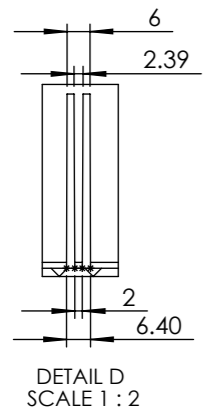
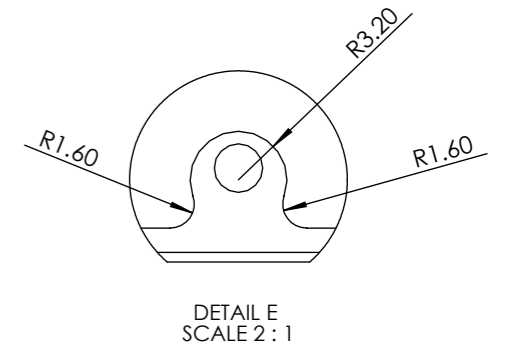
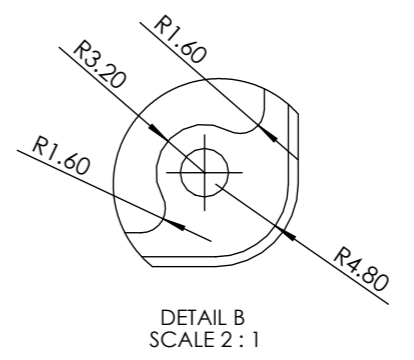
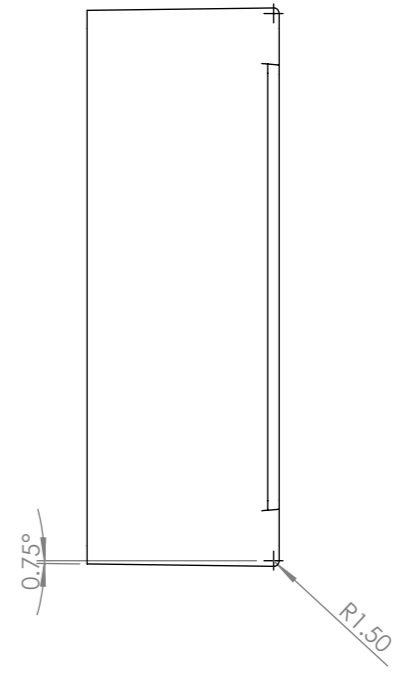
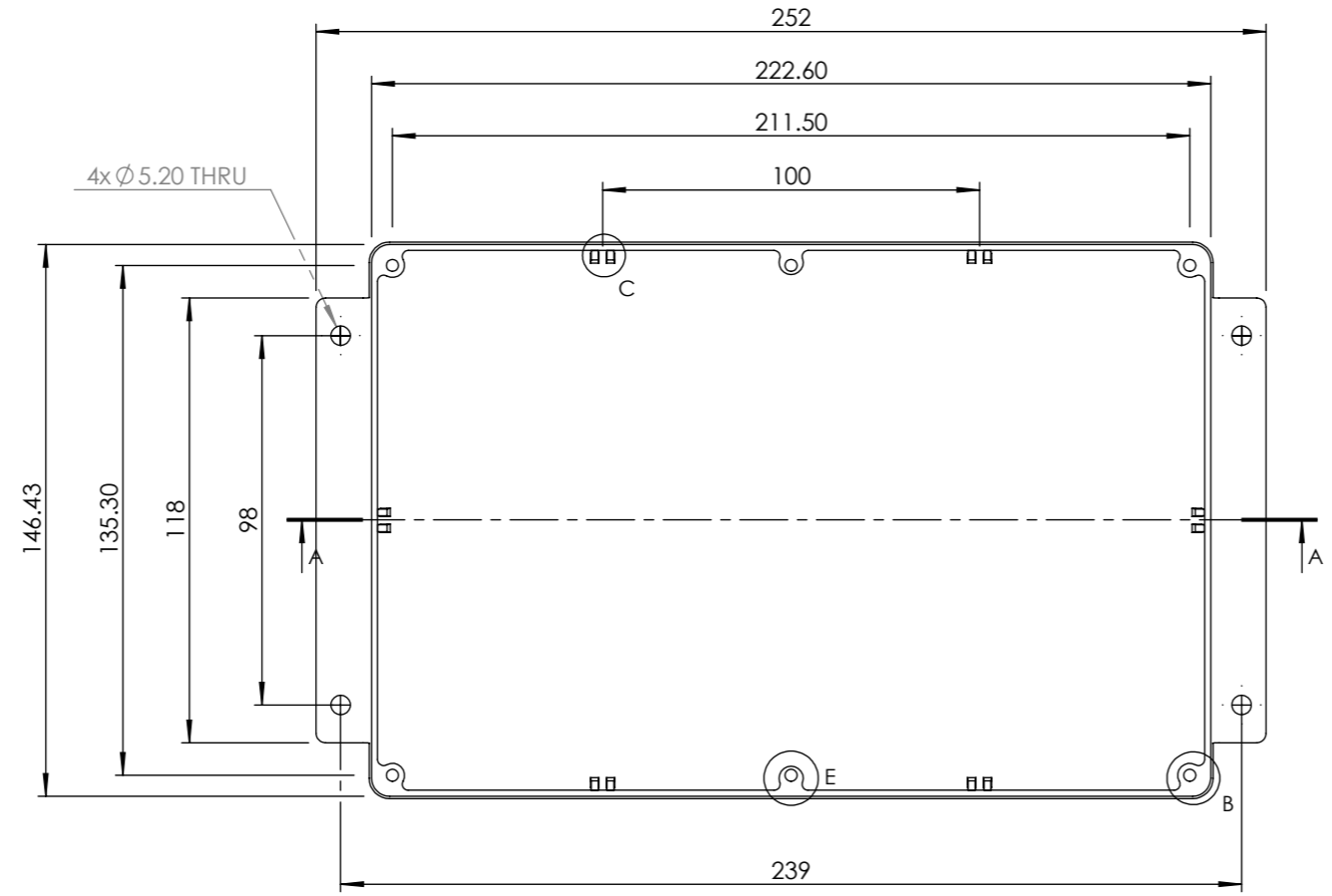
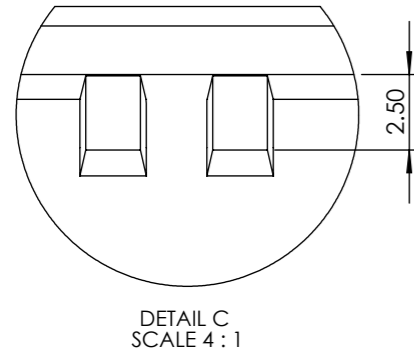


1 2 3 4 5 6 7

A B C D E



SIZE	PLAIN	FLANGED	
		POWDER COATED	NYLON COATED
G	455-0070	457-0070	458-0070
G	SEALED		FLANGED
	456-0070	463-0070	464-0070

Tel No.+44(0)1724273200 Website www.dem-uk.com



PROPRIETARY AND CONFIDENTIAL
THE INFORMATION CONTAINED IN THIS DRAWING IS THE SOLE PROPERTY OF ALPHA 3 MANUFACTURING.
ANY REPRODUCTION IN PART OR AS A WHOLE WITHOUT THE WRITTEN PERMISSION OF ALPHA 3 MANUFACTURING IS PROHIBITED.

DEM Manufacturing, Deltron Emcon House
Hargreaves Way, Sawcliffe Ind. Park,
Scunthorpe, North Lincolnshire, DN15 8RF, UK

UNLESS OTHERWISE SPECIFIED:
DIMENSIONS ARE IN MILLIMETRES
LINEAR TOLERANCE:
NO DECIMAL PLACES ±0.5mm
1 DECIMAL PLACE ±0.25mm
2 DECIMAL PLACES ±0.125mm
ANGULAR TOLERANCE: ±1°

FINISH .
DEBURR AND BREAK SHARP EDGES
DRAWN BY B.SILLENCE
APPROVED BY B.SILLENCE
THIRD ANGLE PROJECTION
IF IN DOUBT ASK DO NOT SCALE DRAWING
MATERIAL DieCast Aluminium Alloy

SHEET 1 OF 1
SCALE 1:1
A3

TITLE **PROCUREMENT SPECIFICATION FOR 'G' SIZE FLANGED BOX**
DRAWING NO. **G BOX FLANGED**
ISSUE **02**
Release