

- NOTES: UNLESS OTHERWISE SPECIFIED**
1. ALL RESISTORS ARE IN OHMS
  2. ALL CAPACTORS ARE IN FARADS
  3. INSTALL SHUNTS AT J4, J6 - J8: PIN 1 AND 2

**Customer Notice:**

Linear Technology has made a best effort to design a circuit that meets customer-supplied specifications; however, it remains the customer's responsibility to verify proper and reliable operation in the actual application. Component substitution and printed circuit layout may significantly affect circuit performance or reliability. Contact Linear Technology Applications Engineering for assistance.

This circuit is proprietary to Linear Technology and supplied for use with Linear Technology parts.

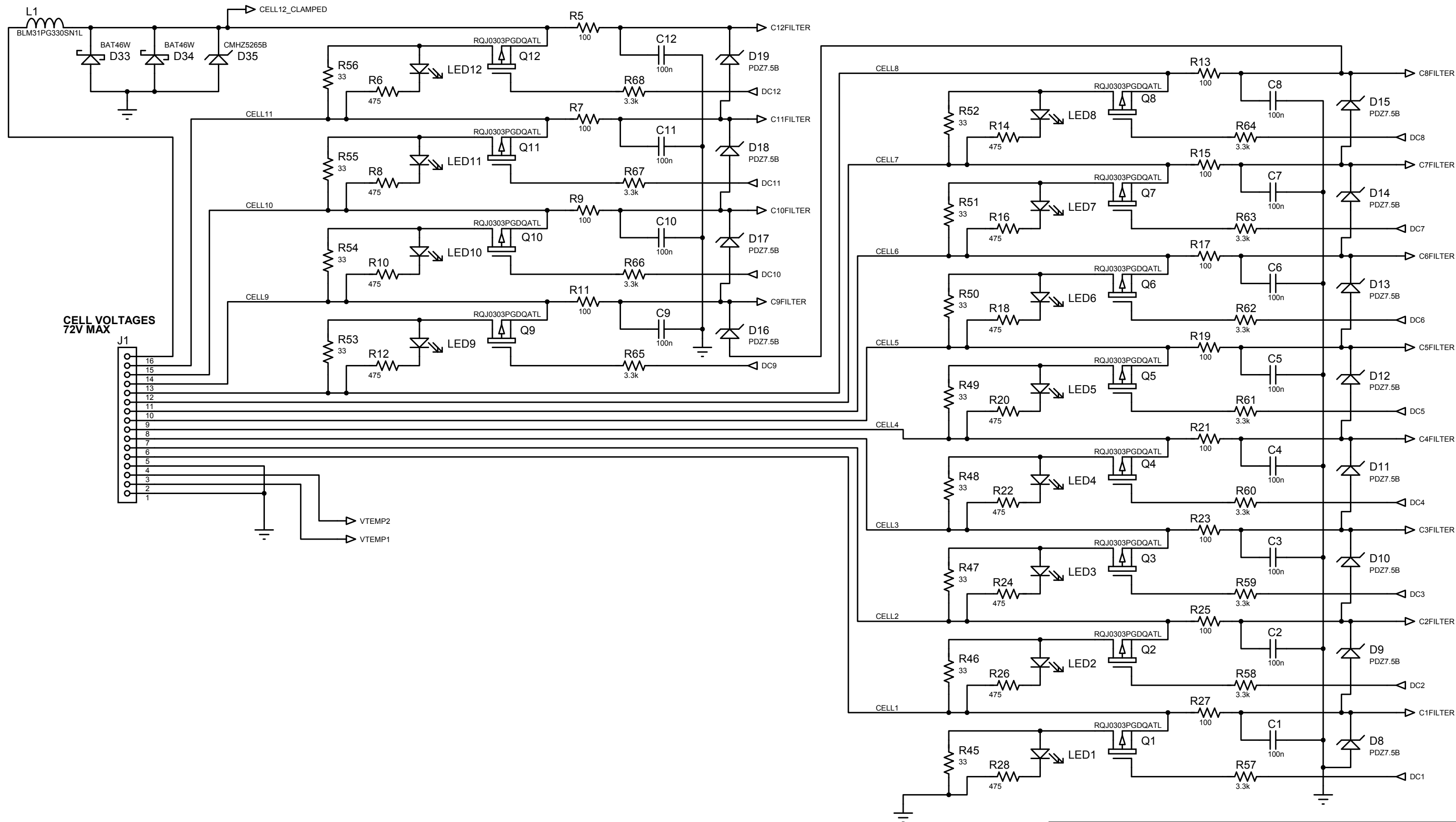
**LINEAR TECHNOLOGY** 1630 McCarthy Blvd.  
Milpitas, CA 95035  
PH: (408) 432-1900


**DC1651A SCHEMATIC**

**LTC6803IG-1 12-CELL BATTERY STACK MONITOR**

Sourcefile: DC1651A.DSN

J. Munson 6/18/2010 SH 1 of 2




**LINEAR**  
 TECHNOLOGY

1630 McCarthy Blvd.  
 Milpitas, CA 95035  
 PH: (408) 432-1900

---

**DC1651A SCHEMATIC**  
**LTC6803IG-1 12-CELL BATTERY STACK MONITOR**  
 Sourcefile: DC1651A.DSN  
 J. Munson 6/18/2010 SH 2 of 2