

# Magnetics for LM258X Flyback Regulator

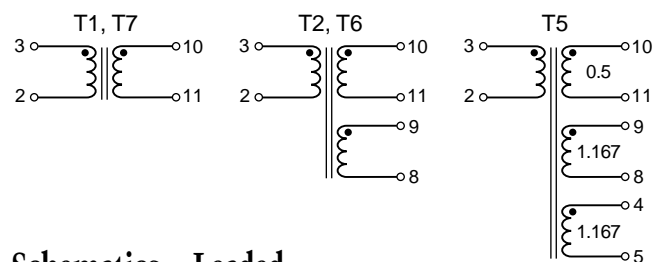
These standard flyback regulator transformers are designed for use with National Semiconductor LM2585, LM2586, LM2587 and LM2588 **SIMPLE SWITCHER**<sup>®</sup>

switching regulators. They are available in surface mount and through hole configurations. All feature 500 V isolation between windings and a variety of available turns ratios.

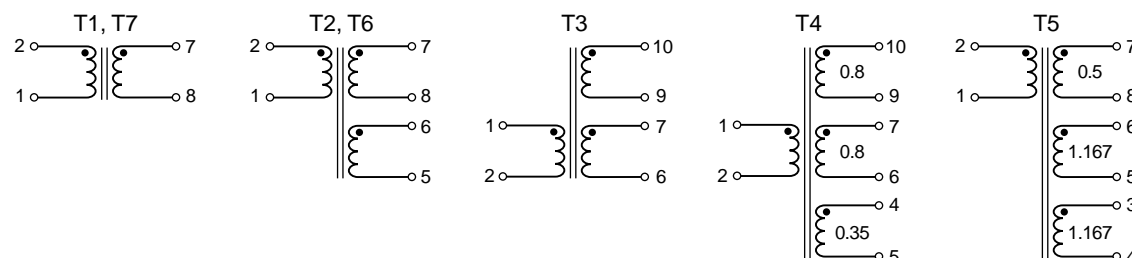
Ref. number	Part number	L at 0 A <sub>dc</sub> ±15% ( $\mu$ H)	L at I <sub>pk</sub> min ( $\mu$ H)	Volt-time product max (V $\mu$ sec)	Leakage Inductance <sup>1</sup> max ( $\mu$ H)	DCR (Ohms)		Turns ratio	I <sub>pk</sub> <sup>2</sup> (A)
						Pri	Sec		
T1 (SM)	Q4435-B	22	19.0	166.5	0.7	0.020	0.025	1:1	4.85
T1 (PC)	Q4434-B	22	19.8	162.0	2.0	0.028	0.028	1:1	5.0
T2 (SM)	Q4436-B	22	19.0	166.5	0.5	0.025	0.23 (10-11) 0.25 (9-8)	1:2.5:2.5	5.0
T2 (PC)	Q4337-B	22	19.8	162.0	2.0	0.030	0.32 (8-7, 6-5)	1:2.5:2.5	5.0
T3 (PC)	Q4343-B	85	76.5	364.5	3.5	0.150	0.011 (10-9, 7-6)	1:0.8:0.8	3.0
T4 (PC)	Q4344-B	85	76.5	364.5	3.5	0.145	0.20 (10-9, 7-6) 0.03 (4-5)	1:0.35:0.8:0.8	3.0
T5 (SM)	Q4437-B	55	47.3	299.7	2.0	0.110	0.035 (3-2) 0.30 (9-8) 0.32 (4-5)	1:0.5:1.167:1.167	3.0
T5 (PC)	Q4338-B	66	59.4	499.5	3.5	0.090	0.039 (8-7) 0.58 (6-5) 0.60 (3-4)	1:0.5:1.167:1.167	3.0
T6 (SM)	Q4438-B	65	57.0	299.7	3.0	0.065	0.15 (10-11, 9-8)	1:1.2:1.2	3.0
T6 (PC)	Q4339-B	66	59.4	499.5	3.0	0.090	0.20 (8-7) 0.24 (5-6)	1:1.2:1.2	3.0
T7 (SM)	S6057-A	47	40.0	233.1	2.0	0.065	0.065	1:1	3.0
T7 (PC)	S6000-A	47	40.0	212.6	2.0	0.065	0.042	1:1	3.0

1. Leakage inductance measured across the primary at 0.10 V<sub>rms</sub>, 100 kHz.
2. DC current at which the primary inductance is measured.
3. Operating temperature range -40° C to +85°C.
4. Electrical specifications at 25° C.

## Schematics – Surface Mount



## Schematics – Leaded



**Coilcraft**<sup>®</sup>

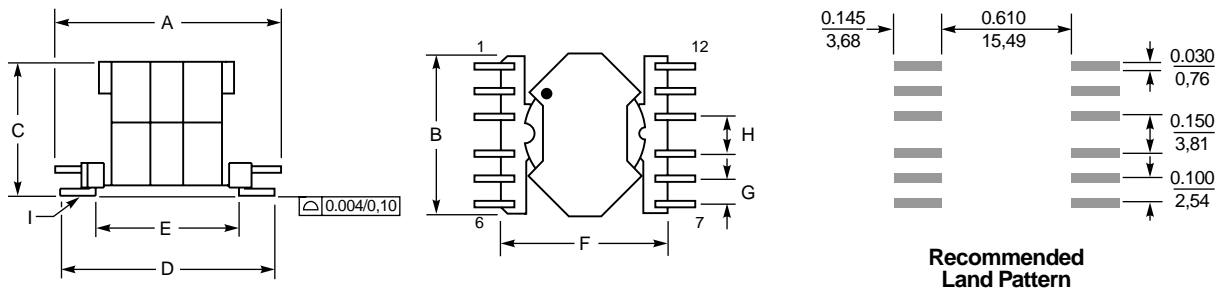
Specifications subject to change without notice. Document 183-1 Revised 12/05/03

1102 Silver Lake Road Cary, Illinois 60013 Phone 847/639-6400 Fax 847/639-1469

E-mail [info@coilcraft.com](mailto:info@coilcraft.com) Web <http://www.coilcraft.com>

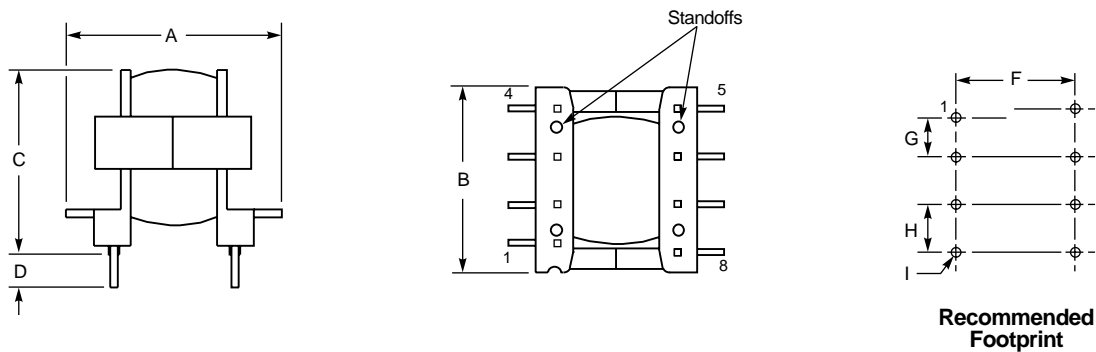
# Magnetics for LM258X Flyback Regulator

## Surface Mount



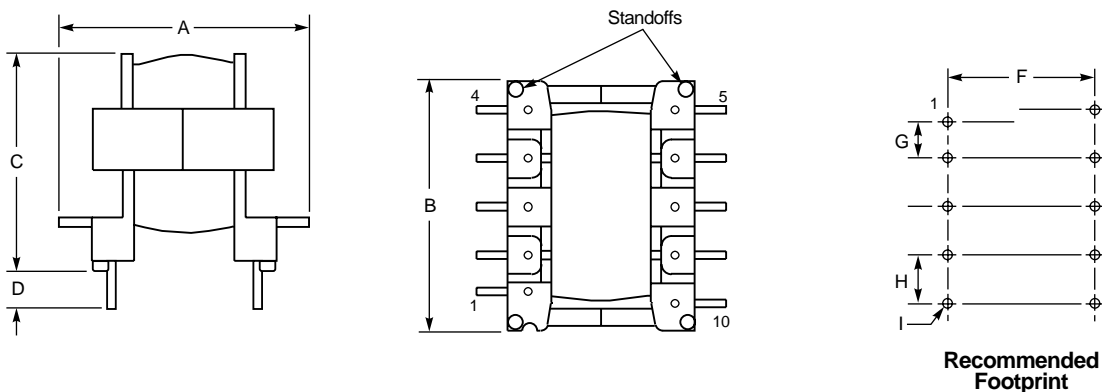
Amax	Bmax	Cmax	D	E	F	G	H	I
1.00/25,40	0.750/19,05	0.600/15,24	0.843/21,41	0.615/15,62	0.733/18,62	0.100/2,54	0.150/3,81	0.134x0.020/3,40x0,51

## Leaded - T1, T2, T5, T6, T7



Amax	Bmax	Cmax	Dmax	F	G	H	I dia
0.950/24,130	0.825/20,96	0.700/17,78	0.180/4,57	0.514/13,06	0.150/3,81	0.200/5,08	0.047/1,19

## Leaded - T3, T4



Amax	Bmax	Cmax	Dmax	F	G	H	I dia
1.100/27,94	1.100/27,94	0.950/24,13	0.180/4,57	0.620/15,75	0.150/3,81	0.200/5,08	0.044/1,12



Specifications subject to change without notice. Document 183-2 Revised 05/14/03

1102 Silver Lake Road Cary, Illinois 60013 Phone 847/639-6400 Fax 847/639-1469

E-mail [info@coilcraft.com](mailto:info@coilcraft.com) Web <http://www.coilcraft.com>