

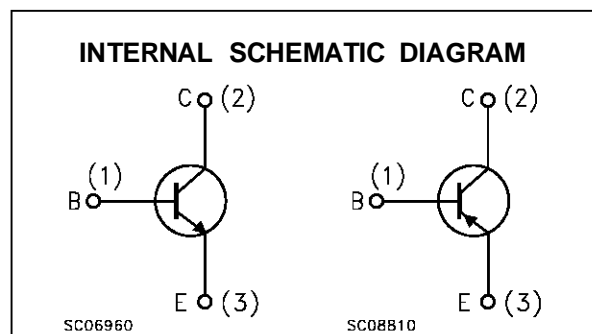
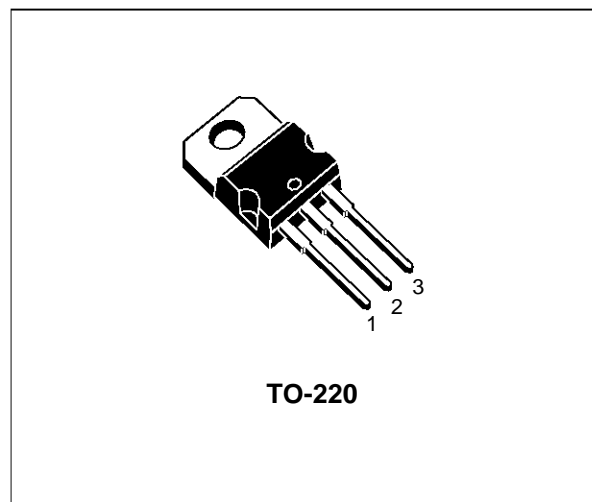
COMPLEMENTARY SILICON POWER TRANSISTORS

■ SGS-THOMSON PREFERRED SALESTYPES

DESCRIPTION

The BD707, BD709, and BD711 are silicon epitaxial-base NPN power transistors in Jedec TO-220 plastic package, intended for use in power linear and switching applications.

The complementary PNP types are BD708, BD710, and BD712 respectively.



ABSOLUTE MAXIMUM RATINGS

Symbol	Parameter	Value				Unit
		NPN	BD707	BD709	BD711	
		PNP	BD708	BD710	BD712	
V_{CBO}	Collector-Base Voltage ($I_E = 0$)		60	80	100	V
V_{CES}	Collector-Emitter Voltage ($V_{BE} = 0$)		60	80	100	V
V_{CEO}	Collector-Emitter Voltage ($I_B = 0$)		60	80	100	V
V_{EBO}	Emitter-Base Voltage ($I_C = 0$)		5			V
I_C	Collector Current		12			A
I_B	Base Current		5			A
P_{tot}	Total Dissipation at $T_c \leq 25^\circ C$		75			W
T_{stg}	Storage Temperature		-65 to 150			$^\circ C$
T_j	Max. Operating Junction Temperature		150			$^\circ C$

For PNP types voltage and current values are negative.

BD707/708/709/710/711/712

THERMAL DATA

R _{thj-case}	Thermal Resistance Junction-case	Max	1.67	°C/W
R _{thj-amb}	Thermal Resistance Junction-ambient	Max	70	°C/W

ELECTRICAL CHARACTERISTICS (T_{case} = 25 °C unless otherwise specified)

Symbol	Parameter	Test Conditions	Min.	Typ.	Max.	Unit	
I _{CBO}	Collector Cut-off Current (I _E = 0)	for BD707/708 V _{CB} = 60 V			100	μA	
		for BD709/710 V _{CB} = 80 V			100	μA	
		for BD711/712 V _{CB} = 100 V			100	μA	
		T _{case} = 150 °C					
		for BD707/708 V _{CB} = 60 V			1	mA	
		for BD709/710 V _{CB} = 80 V			1	mA	
for BD711/712 V _{CB} = 100 V			1	mA			
I _{CEO}	Collector Cut-off Current (I _B = 0)	for BD707/708 V _{CB} = 30 V			100	mA	
		for BD709/710 V _{CB} = 40 V			100	mA	
		for BD711/712 V _{CB} = 50 V			100	mA	
I _{EBO}	Emitter Cut-off Current (I _C = 0)	V _{EB} = 5 V			1	mA	
V _{CEO(sus)*}	Collector-Emitter Sustaining Voltage (I _B = 0)	I _C = 100 mA	for BD707/708 60			V	
			for BD709/710 80			V	
			for BD711/712 100			V	
V _{CE(sat)*}	Collector-Emitter Saturation Voltage	I _C = 4 A I _B = 0.4 A			1	V	
V _{CEK*}	Knee Voltage	I _C = 3 A I _B = **			0.4	V	
V _{BE*}	Base-Emitter Voltage	I _C = 4 A V _{CE} = 4 V			1.5	V	
h _{FE*}	DC Current Gain	I _C = 0.5 A V _{CE} = 2 V	40	120	400		
		I _C = 2 A V _{CE} = 2 V	30				
		for BD707/708 V _{CE} = 2 V	30				
		for BD709/710 V _{CE} = 4 V	15		150		
		for BD707/708 V _{CE} = 4 V	15		150		
		for BD709/710 V _{CE} = 4 V	15		150		
I _C = 4 A	for BD711/712 V _{CE} = 4 V	5	10				
I _C = 10 A	for BD707/708 V _{CE} = 4 V		8				
for BD709/710 V _{CE} = 4 V			8				
for BD711/712 V _{CE} = 4 V							
f _T	Transition frequency	I _C = 300 mA V _{CE} = 3 V	3			MHz	

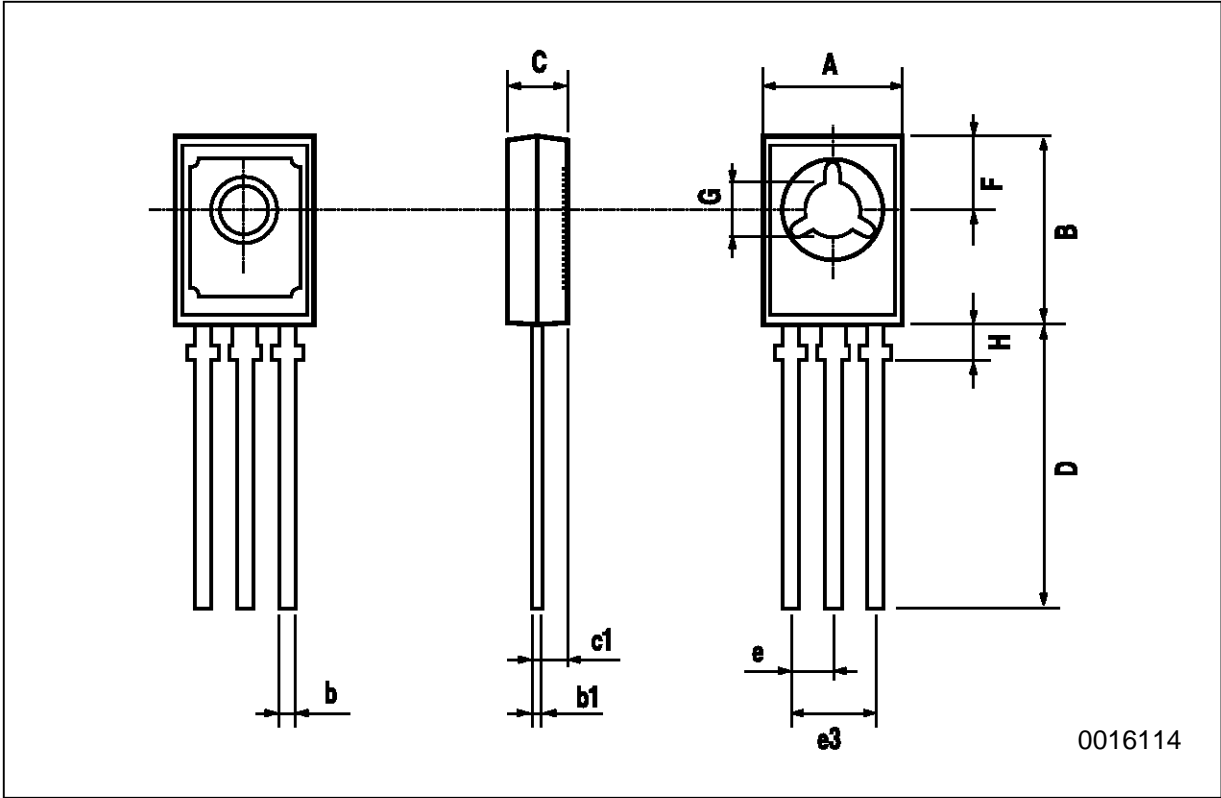
* Pulsed: Pulse duration = 300 μs, duty cycle 1.5 %

** Value for which I_C = 3.3 A at V_{CE} = 2V.

For PNP types voltage and current values are negative.

SOT-32 MECHANICAL DATA

DIM.	mm			inch		
	MIN.	TYP.	MAX.	MIN.	TYP.	MAX.
A	7.4		7.8	0.291		0.307
B	10.5		10.8	0.413		0.445
b	0.7		0.9	0.028		0.035
b1	0.49		0.75	0.019		0.030
C	2.4		2.7	0.04		0.106
c1		1.2			0.047	
D		15.7			0.618	
e		2.2			0.087	
e3		4.4			0.173	
F		3.8			0.150	
G	3		3.2	0.118		0.126
H			2.54			0.100



0016114

Information furnished is believed to be accurate and reliable. However, SGS-THOMSON Microelectronics assumes no responsibility for the consequences of use of such information nor for any infringement of patents or other rights of third parties which may result from its use. No license is granted by implication or otherwise under any patent or patent rights of SGS-THOMSON Microelectronics. Specifications mentioned in this publication are subject to change without notice. This publication supersedes and replaces all information previously supplied. SGS-THOMSON Microelectronics products are not authorized for use as critical components in life support devices or systems without express written approval of SGS-THOMSON Microelectronics.

© 1995 SGS-THOMSON Microelectronics - All Rights Reserved

SGS-THOMSON Microelectronics GROUP OF COMPANIES

Australia - Brazil - France - Germany - Hong Kong - Italy - Japan - Korea - Malaysia - Malta - Morocco - The Netherlands - Singapore - Spain - Sweden - Switzerland - Taiwan - Thailand - United Kingdom - U.S.A