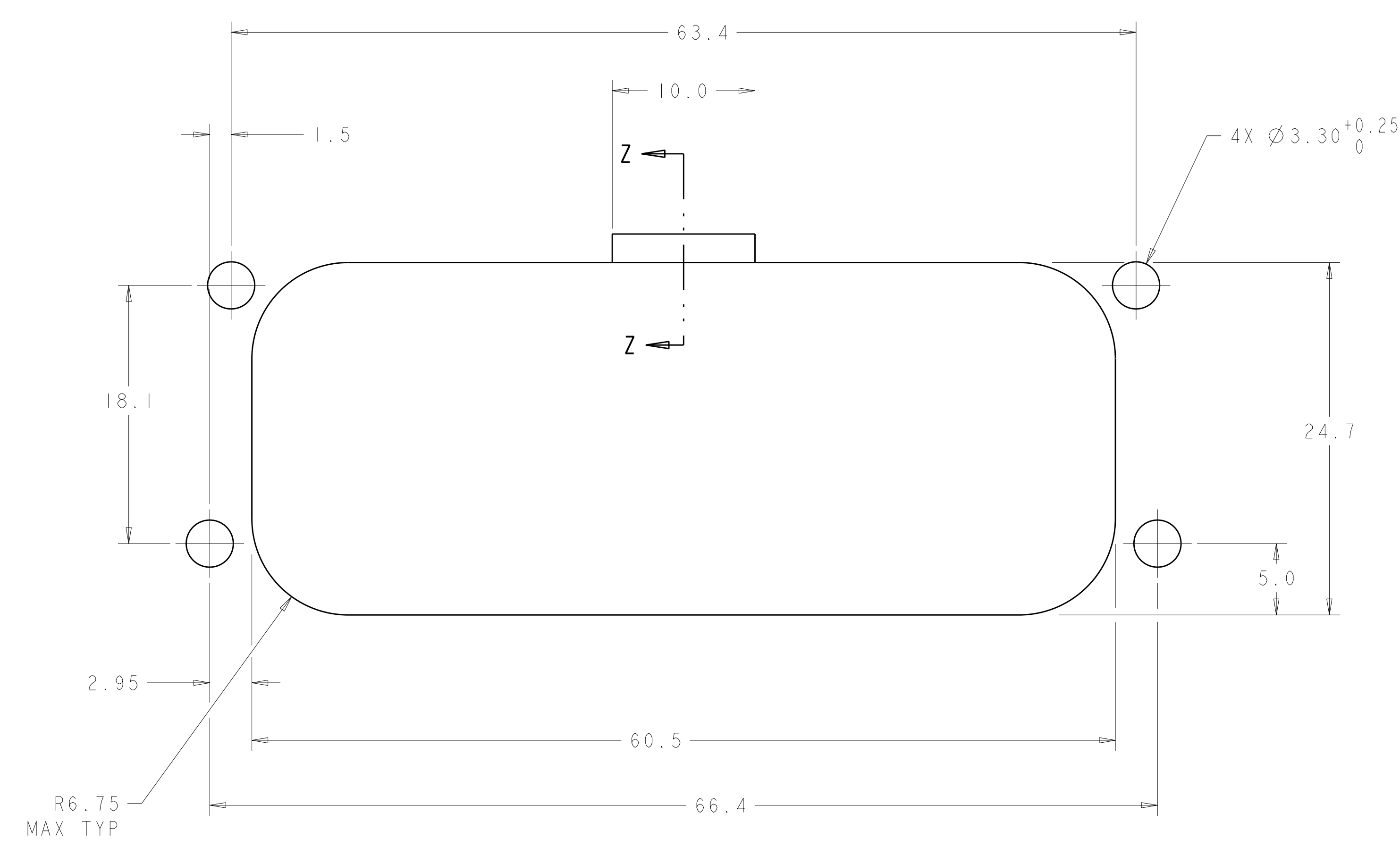
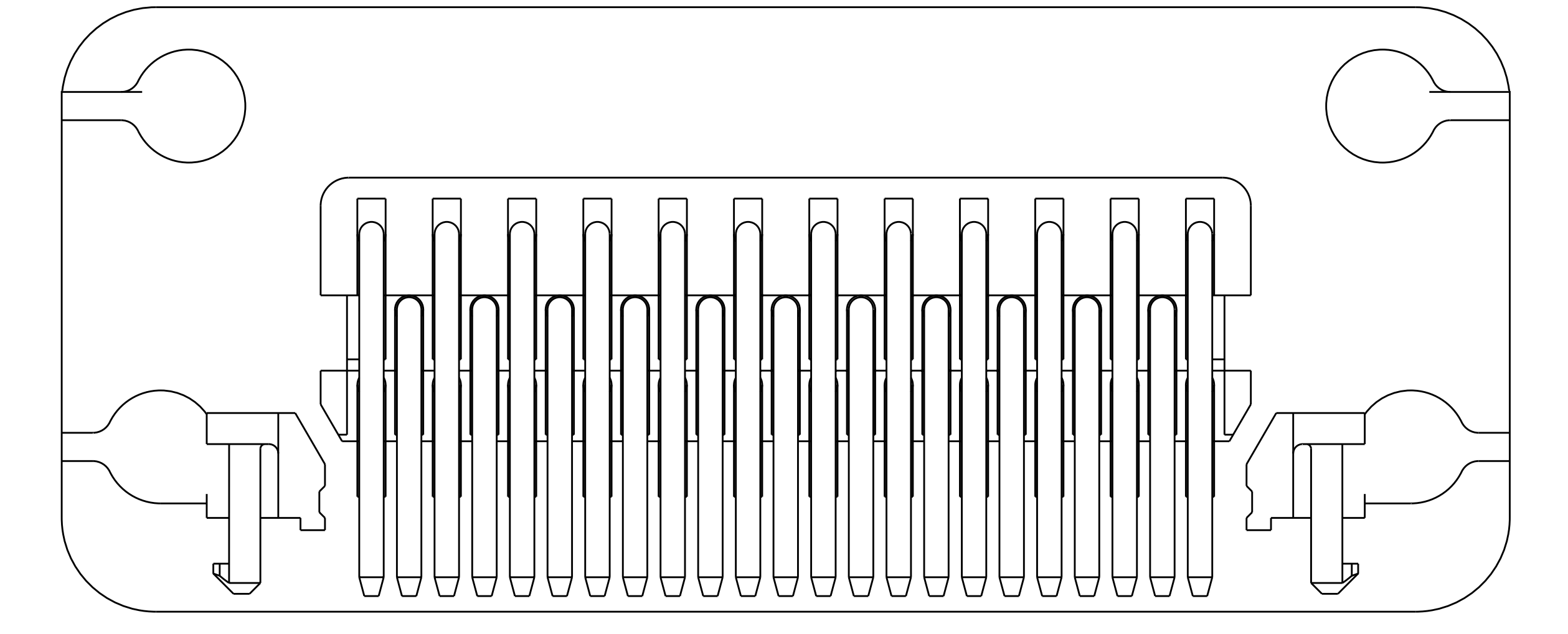
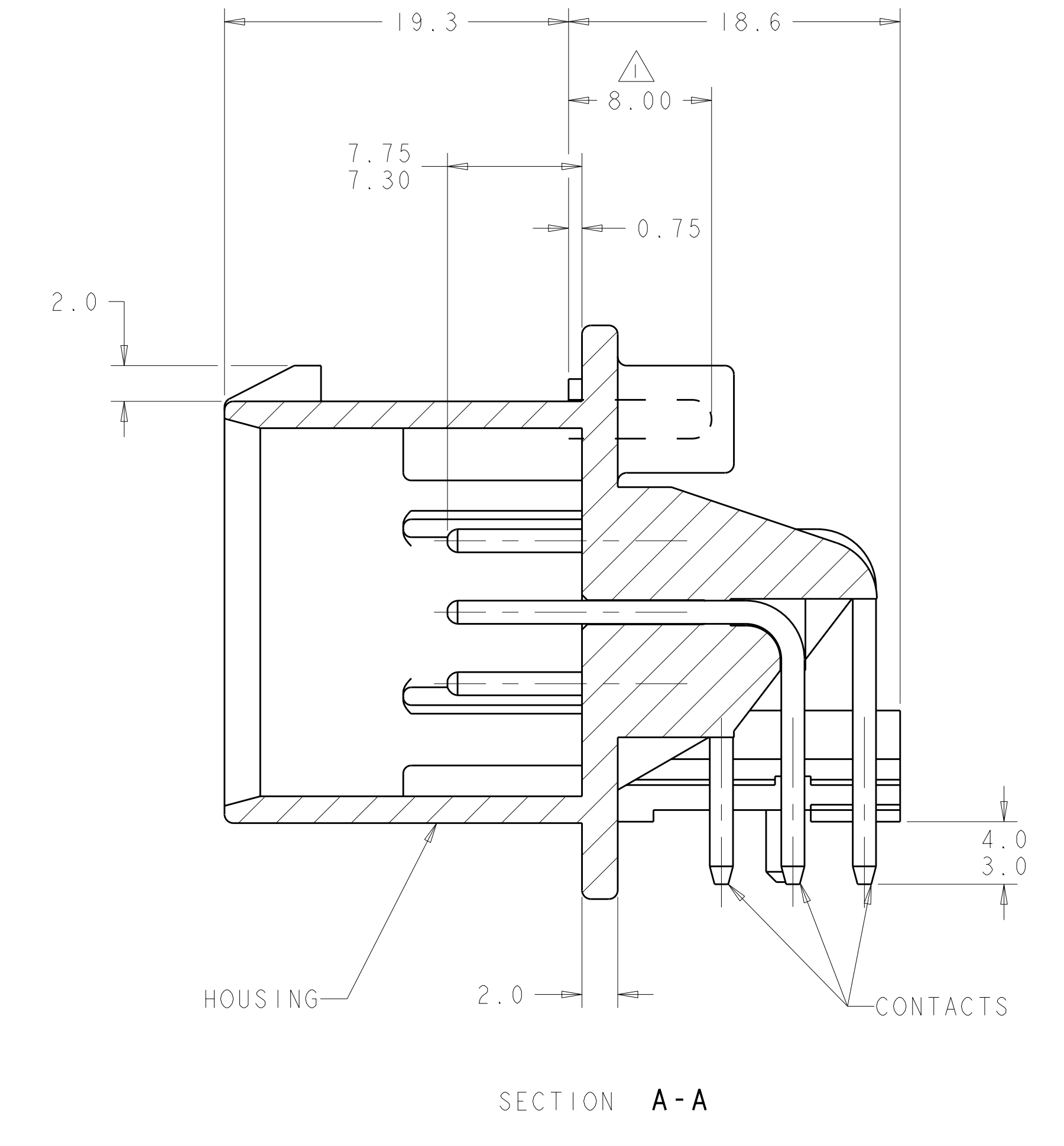
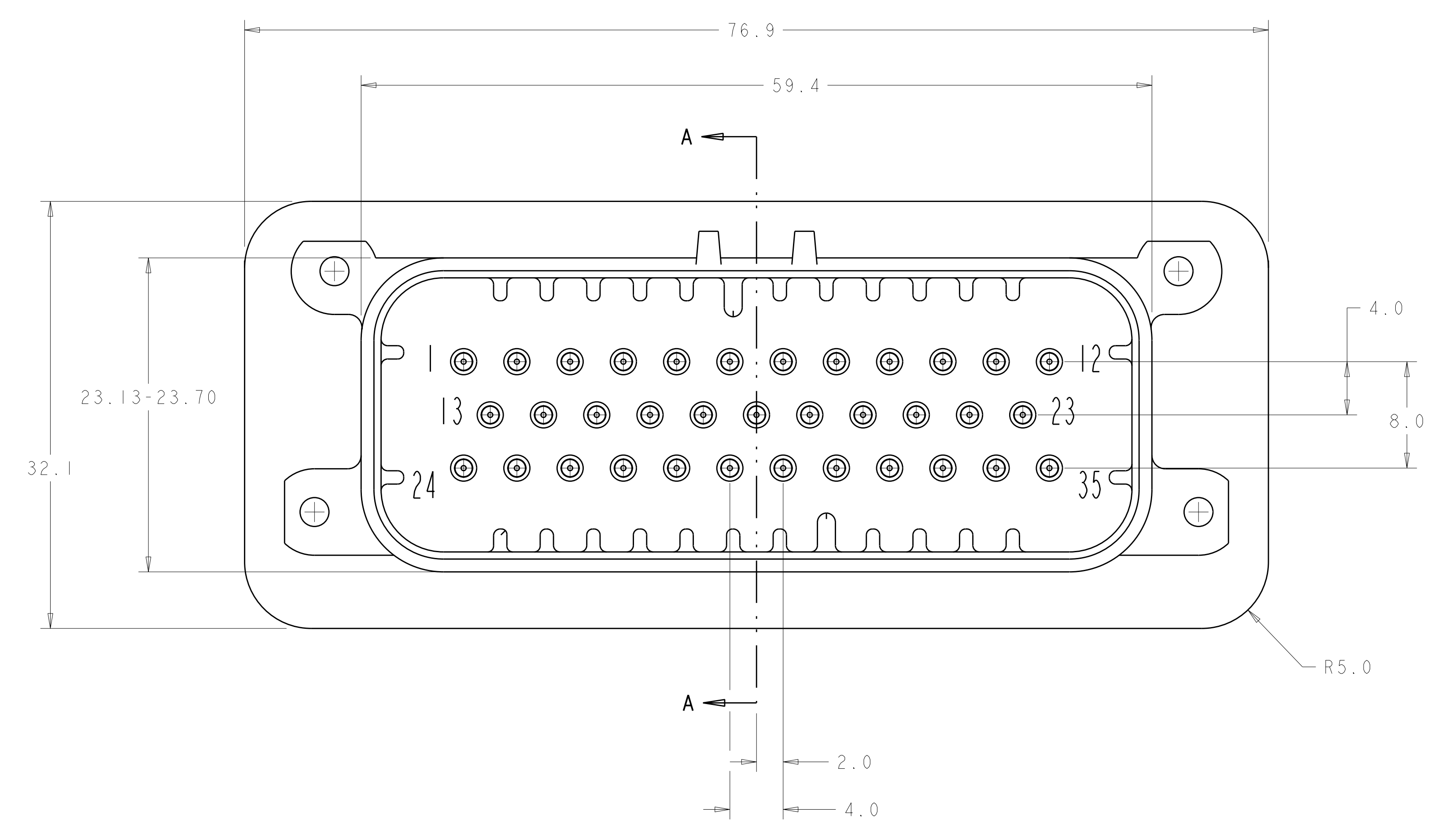
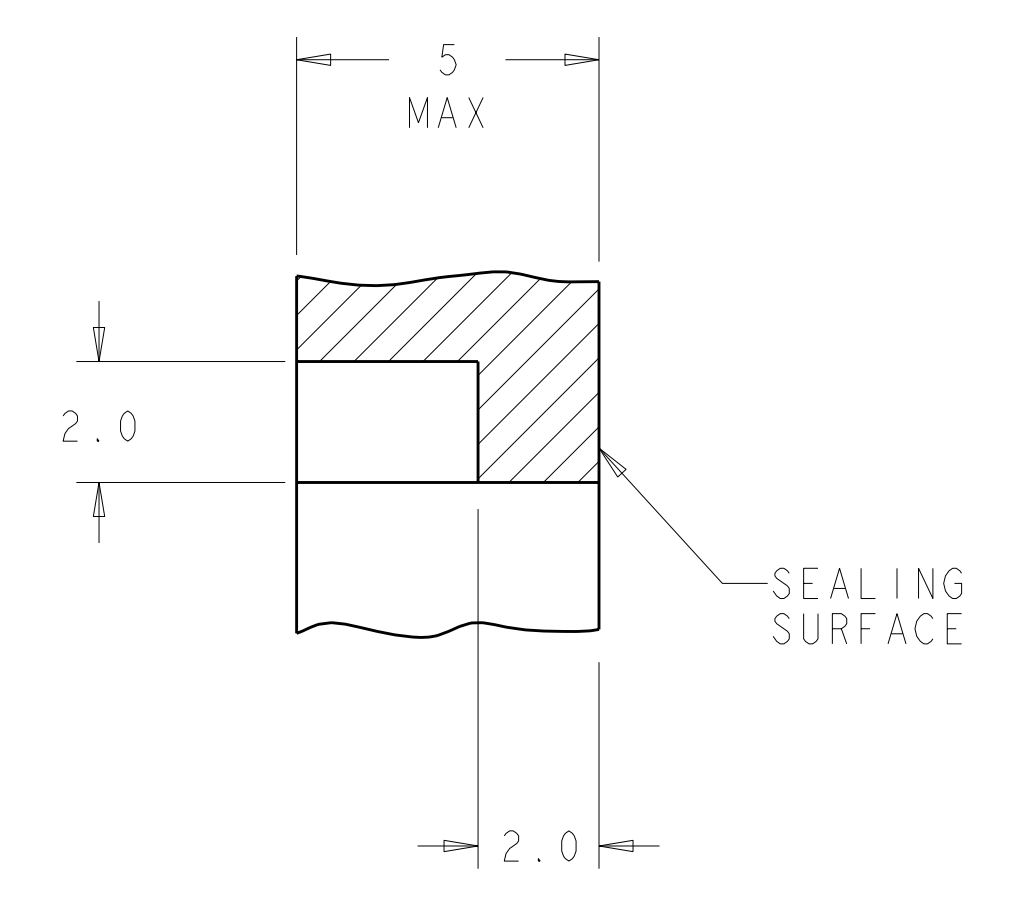


REVISONS		DATE	BY	APP'D
H	REVISED PER ECO-06-024443	09MAR2001	AS	AS
H1	REVISED PER ECO-10-013103	22JAN2010	DD	DS
H2	REVISED PER ECO-10-018177	29SEP2010	DD	DS

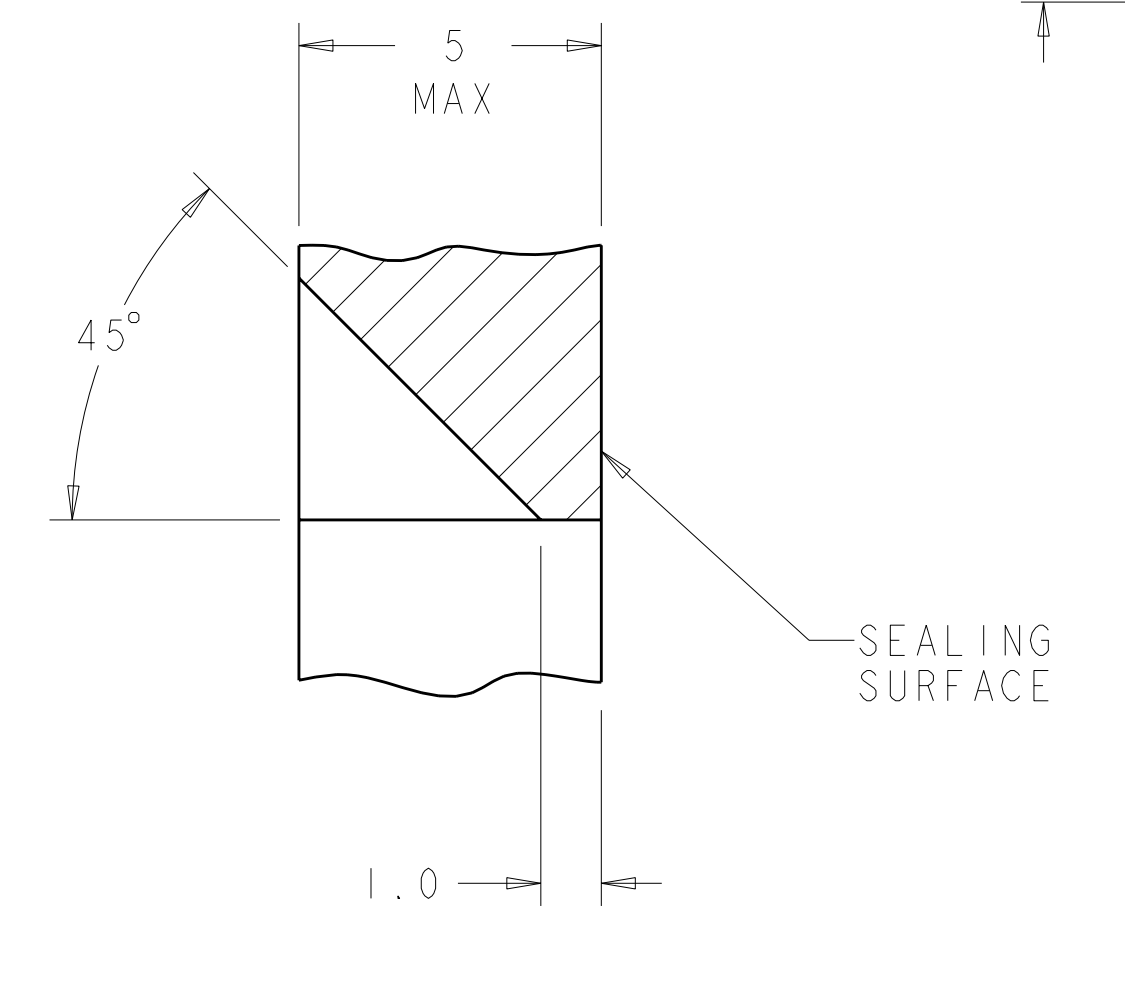
ACCEPTS #4 SELF TAPPING SCREW (ELCO HI-LO THREAD CUTTING STYLE OR EQUIVALENT) TO BE DRIVEN AT 0.6±0.2 N·M.  
 HOUSING COLORS ARE MECHANICALLY KEYED TO MATE ONLY WITH IDENTICALLY COLORED PLUG ASSEMBLIES.



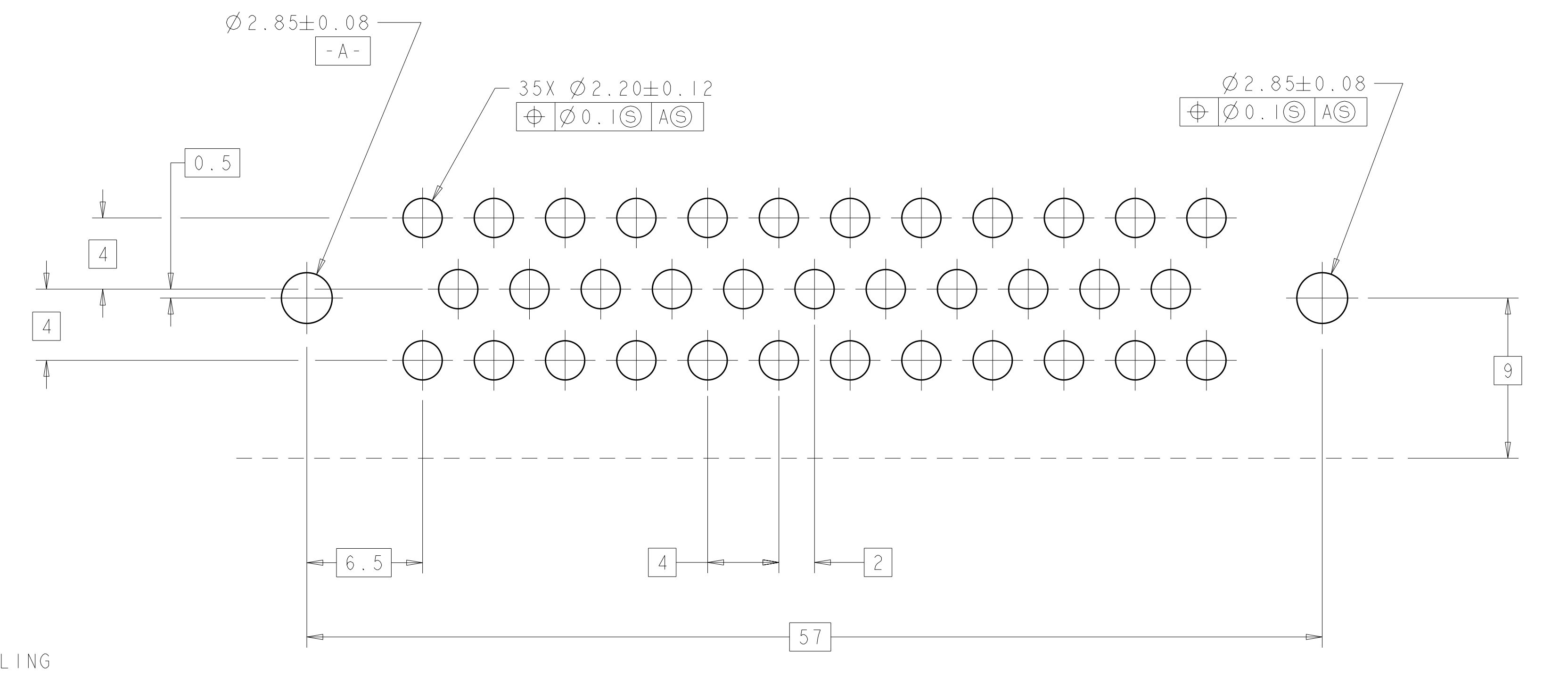
RECOMMENDED MOUNTING HOLE LAYOUT FOR 5.0 MAX THICK PANEL



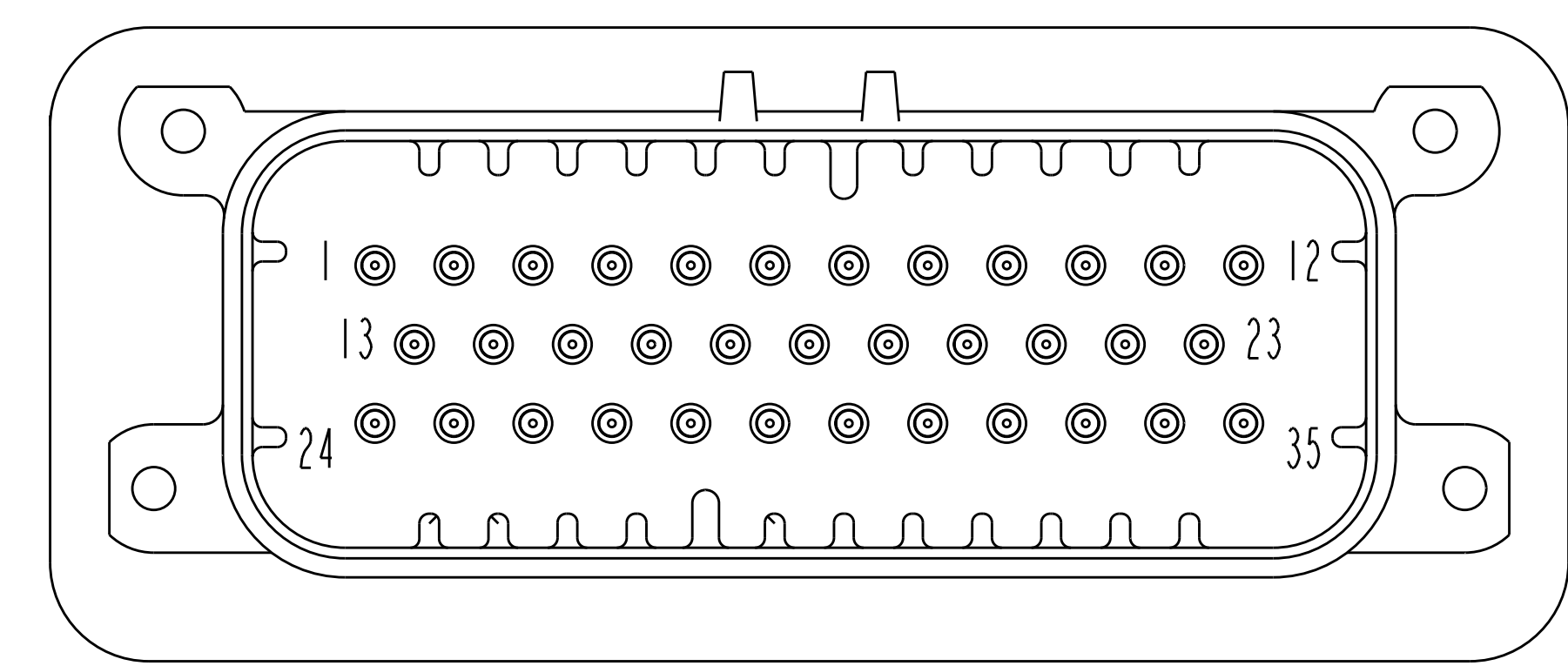
SECTION Z-Z  
 OPTIONAL CONSTRUCTION IF THICKNESS IS GREATER THAN 2.0  
 SCALE: 8:1



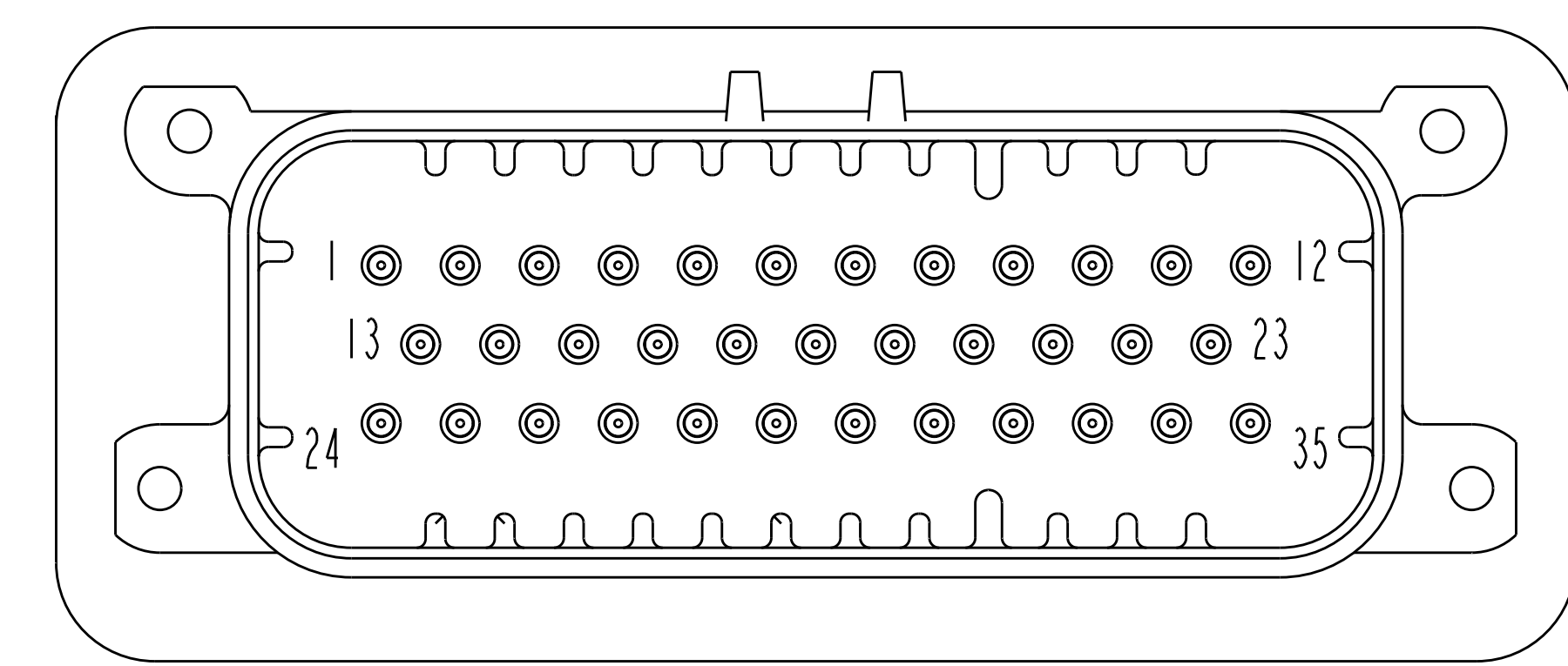
SECTION Z-Z  
 OPTIONAL CONSTRUCTION IF THICKNESS IS GREATER THAN 2.0  
 SCALE: 8:1



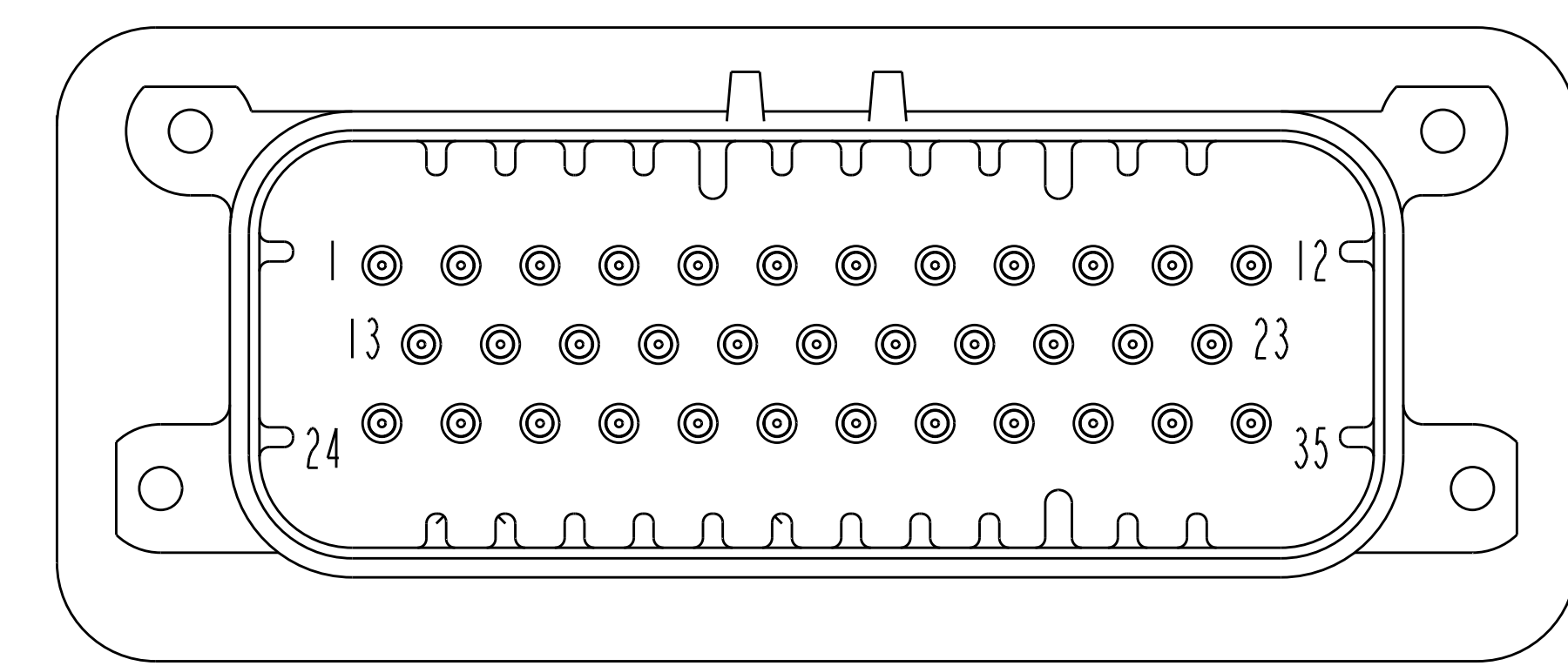
RECOMMENDED P.C. BOARD LAYOUT FOR 1.57 THICK P.C. BOARD



776180-2 & 1-776180-2  
 KEY LOCATION AS SHOWN  
 SCALE 3:1



776180-4 & 1-776180-4  
 KEY LOCATION AS SHOWN  
 SCALE 3:1



776180-5 & 1-776180-5  
 KEY LOCATION AS SHOWN  
 SCALE 3:1

776180-1 & 1-776180-1  
 KEY LOCATION AS SHOWN

MATERIAL	FINISH	MATERIAL	COLOR	PART NUMBER
BRASS	DURAGOLD	PBT	ORANGE	1-776180-6
BRASS	DURAGOLD	PBT	BLUE	1-776180-5
BRASS	DURAGOLD	PBT	GRAY	1-776180-4
BRASS	DURAGOLD	PBT	NATURAL (WHITE)	1-776180-2
BRASS	DURAGOLD	PBT	BLACK	1-776180-1
BRASS	TIN	PBT	BLUE	776180-5
BRASS	TIN	PBT	GRAY	776180-4
BRASS	TIN	PBT	NATURAL (WHITE)	776180-2
BRASS	TIN	PBT	BLACK	776180-1

DIMENSIONS:		DATE: 31DEC2002		BY: YESTAL	
TOLERANCES UNLESS OTHERWISE SPECIFIED:		DATE: 31DEC2002		CHK: CROWE	
Ø: .125		DATE: 31DEC2002		APP: CROWE	
HOLE: .005		DATE: 31DEC2002		PRG: CROWE	
MATERIAL: SEE TABLE		DATE: 31DEC2002		NAME: Tyco Electronics	
FINISH: -		DATE: 31DEC2002		ADDRESS: Harrisburg, PA 17105-3608	
MATERIAL: SEE TABLE		DATE: 31DEC2002		PRODUCT SPEC: -	
FINISH: -		DATE: 31DEC2002		APPLICATION SPEC: -	
MATERIAL: SEE TABLE		DATE: 31DEC2002		SIZE: CASE CODE (DRAWING NO):	
FINISH: -		DATE: 31DEC2002		RESTRICTION TO: -	
MATERIAL: SEE TABLE		DATE: 31DEC2002		REVISION: A0	
FINISH: -		DATE: 31DEC2002		00779 ©=776180	
MATERIAL: SEE TABLE		DATE: 31DEC2002		CUSTOMER DRAWING	
FINISH: -		DATE: 31DEC2002		SCALE: 3:1	
MATERIAL: SEE TABLE		DATE: 31DEC2002		SHEET: 1 OF 1	
FINISH: -		DATE: 31DEC2002		REV: H2	