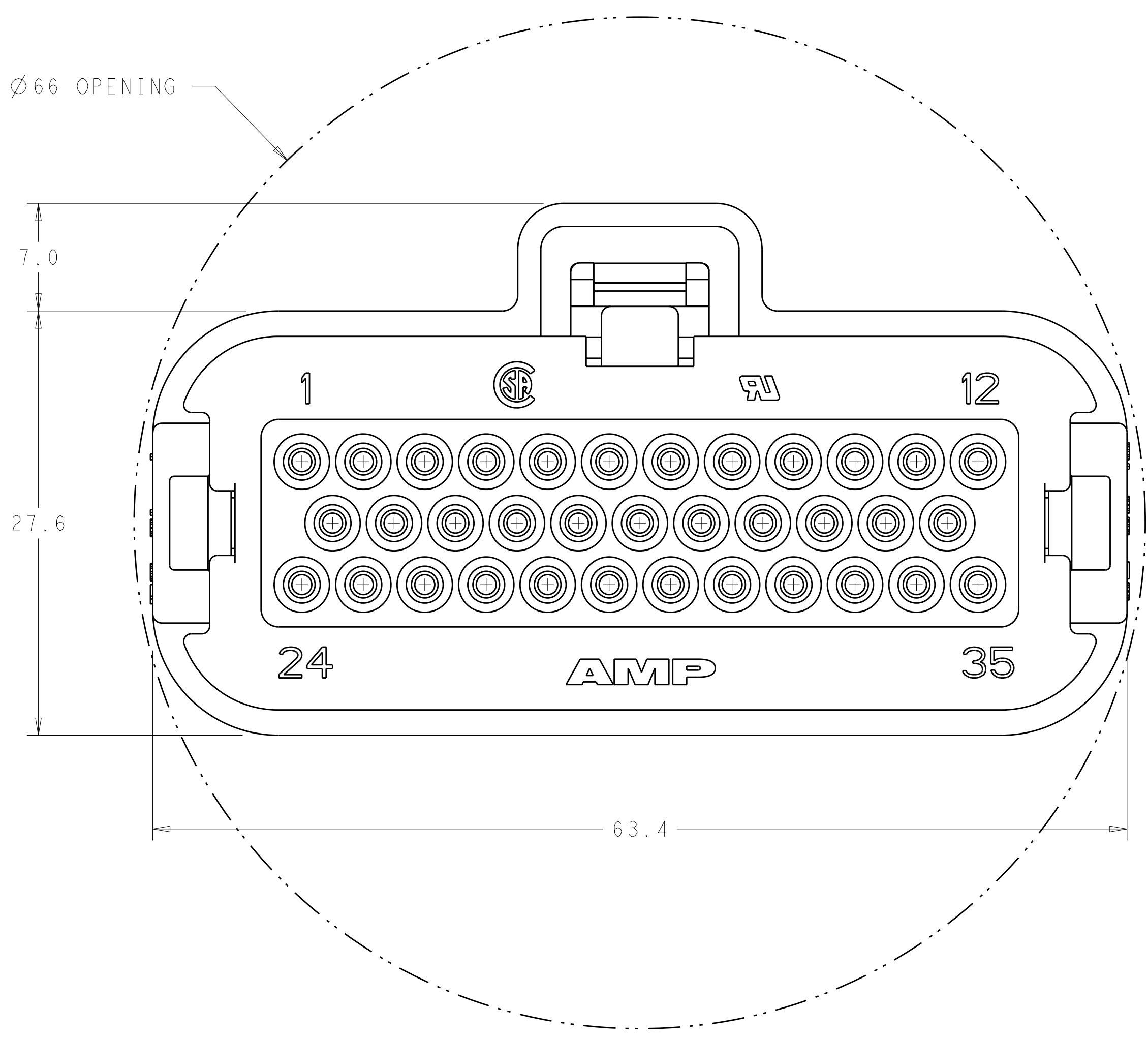
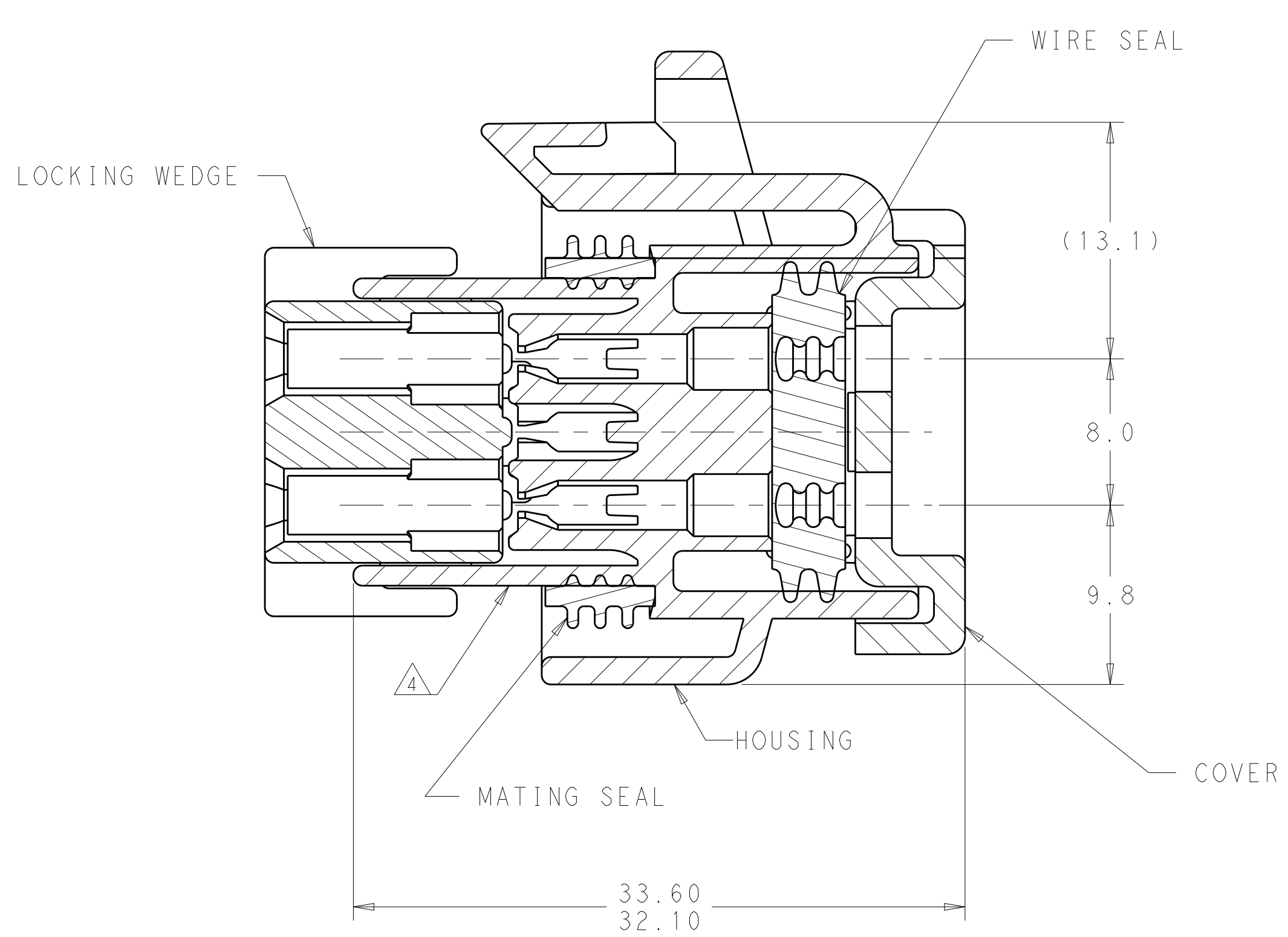
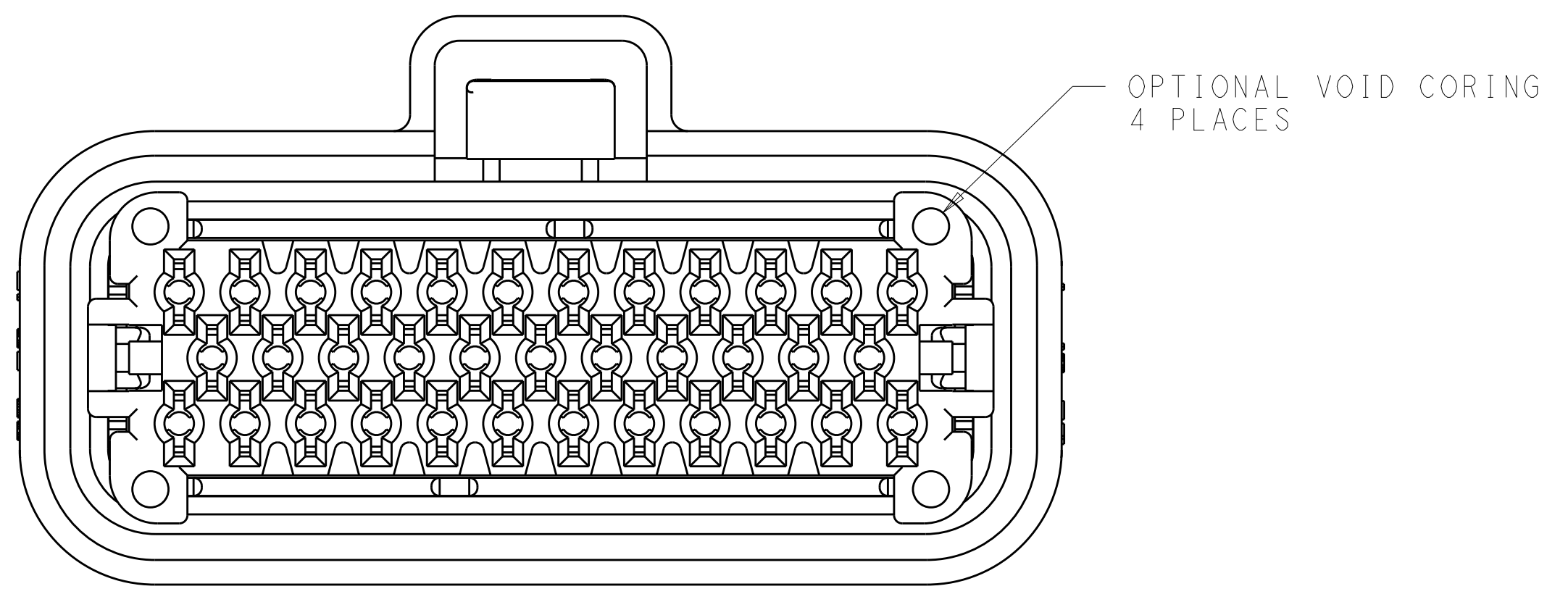


| LOC | DIST | REVISIONS | | | | | |
|-----|------|-----------|-----|---------------------------|-----------|-----|------|
| HK | 00 | P. | LTN | DESCRIPTION | DATE | OWN | APVD |
| | | E1 | | REVISED PER ECO-11-011612 | 03JUN2011 | DLD | DLD |
| | | E2 | | REVISED PER ECO-11-013055 | 23JUN2011 | DLD | DCS |
| | | F | | REVISED PER ECO-12-007864 | 24APR2012 | DLD | DCS |
| | | G | | REVISED PER ECO-13-001003 | 17JAN2013 | DLD | DCS |

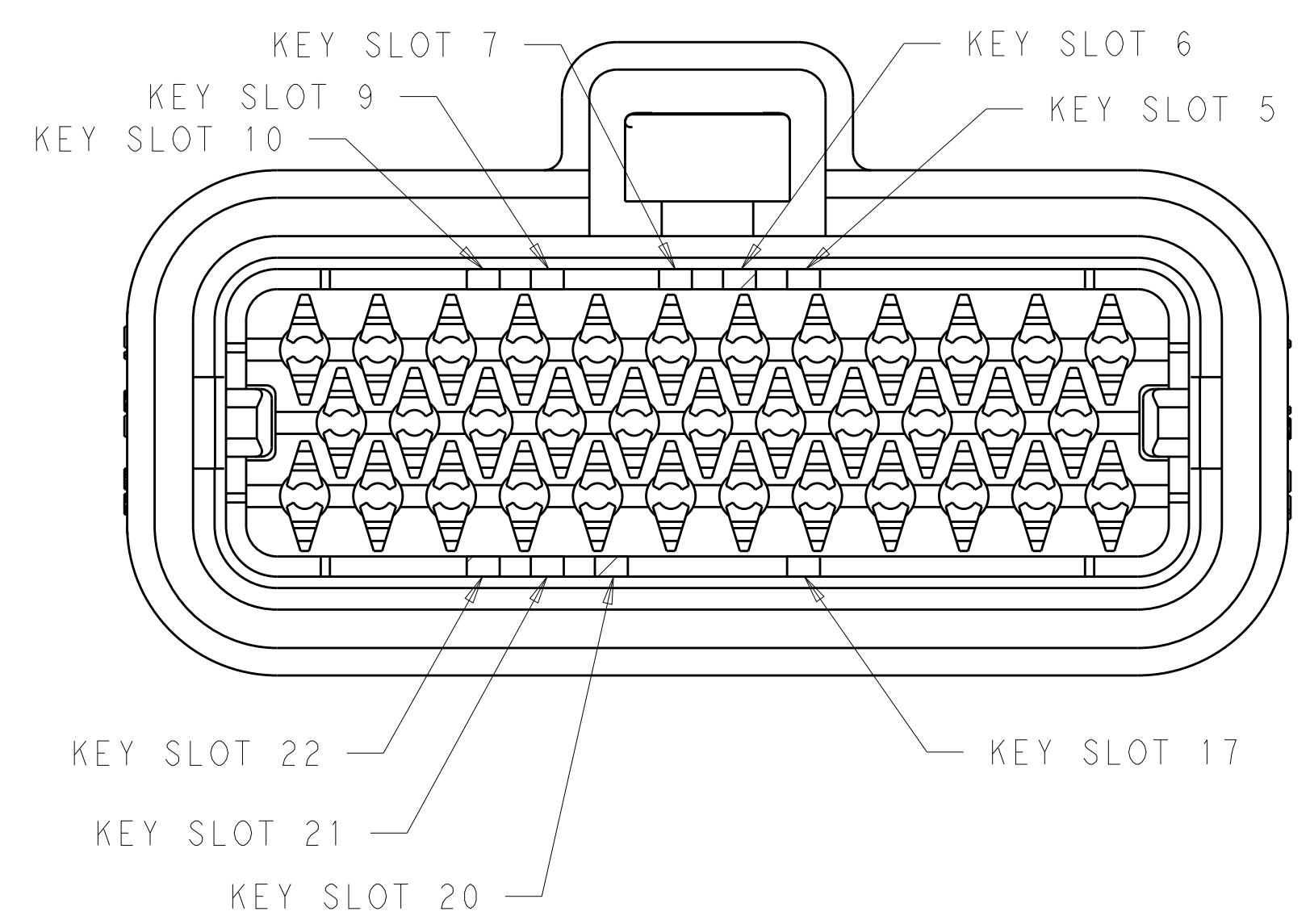
ASSEMBLY WILL PASS THRU Ø66 OPENING



- ⚠ HOUSING COLORS ARE MECHANICALLY KEYPED TO MATE WITH IDENTICALLY COLORED HEADER ASSEMBLIES.
- 2. PLUG MATES TO THE FOLLOWING:
RIGHT ANGLE HEADER - 776180, 776163
VERTICAL HEADER - 776230, 776231
- 3. PLUG USES REELED TERMINAL 770520 OR LOOSE PIECE TERMINAL 770854.
- ⚠ DATE CODE ON THIS SURFACE. USES 5 DIGIT CODE:
FIRST 2 DIGITS = YEAR, SECOND 2 DIGITS = WEEK, LAST DIGIT = DAY.



BOTTOM VIEW WITH LOCKING WEDGE
SCALE 3:1



KEY SLOT LOCATIONS
SCALE 3:1

| | |
|------------------------------------|-------------|
| 7 & 22 | 776164-6 |
| 5, 10 & 22 | 776164-5 |
| 9 & 21 | 776164-4 |
| 7 & 17 | 776164-2 |
| 6 & 20 | 776164-1 |
| KEY SLOT LOCATION (SEE VIEW ABOVE) | PART NUMBER |

| | | | | | |
|--|----------------------|---|---------------|--|-------------|
| GLASS FILLED PBT, BLACK | SILICONE RUBBER, RED | SILICONE RUBBER, RED | PBT, RED | PBT, ORANGE | 776164-6 |
| | | | | PBT, BLUE | 776164-5 |
| | | | | PBT, GRAY | 776164-4 |
| | | | | PBT, NATURAL | 776164-2 |
| | | | | PBT, BLACK | 776164-1 |
| COVER | WIRE SEAL | MATING SEAL | LOCKING WEDGE | HOUSING | PART NUMBER |
| THIS DRAWING IS A CONTROLLED DOCUMENT. | | DWN: R. VESTAL 08SEP2009 CHK: D. STRAUSSER 08SEP2009 APVD: D. STRAUSSER 08SEP2009 | | NAME: STE TE Connectivity | |
| DIMENSIONS: mm | | TOLERANCES UNLESS OTHERWISE SPECIFIED: | | PRODUCT SPEC: 108-1329 | |
| 0 PLC ±0.2 | | 1 PLC ±0.2 | | APPLICATION SPEC: 114-16016 | |
| 2 PLC ±0.2 | | 3 PLC ±0.2 | | WEIGHT: - | |
| 4 PLC ±0.2 | | ANGLES ±0.5 | | SIZE: A100779 | |
| MATERIAL: SEE TABLE | | FINISH: SEE TABLE | | CUSTOMER DRAWING: SCALE 4:1 SHEET 1 OF 1 REV G | |