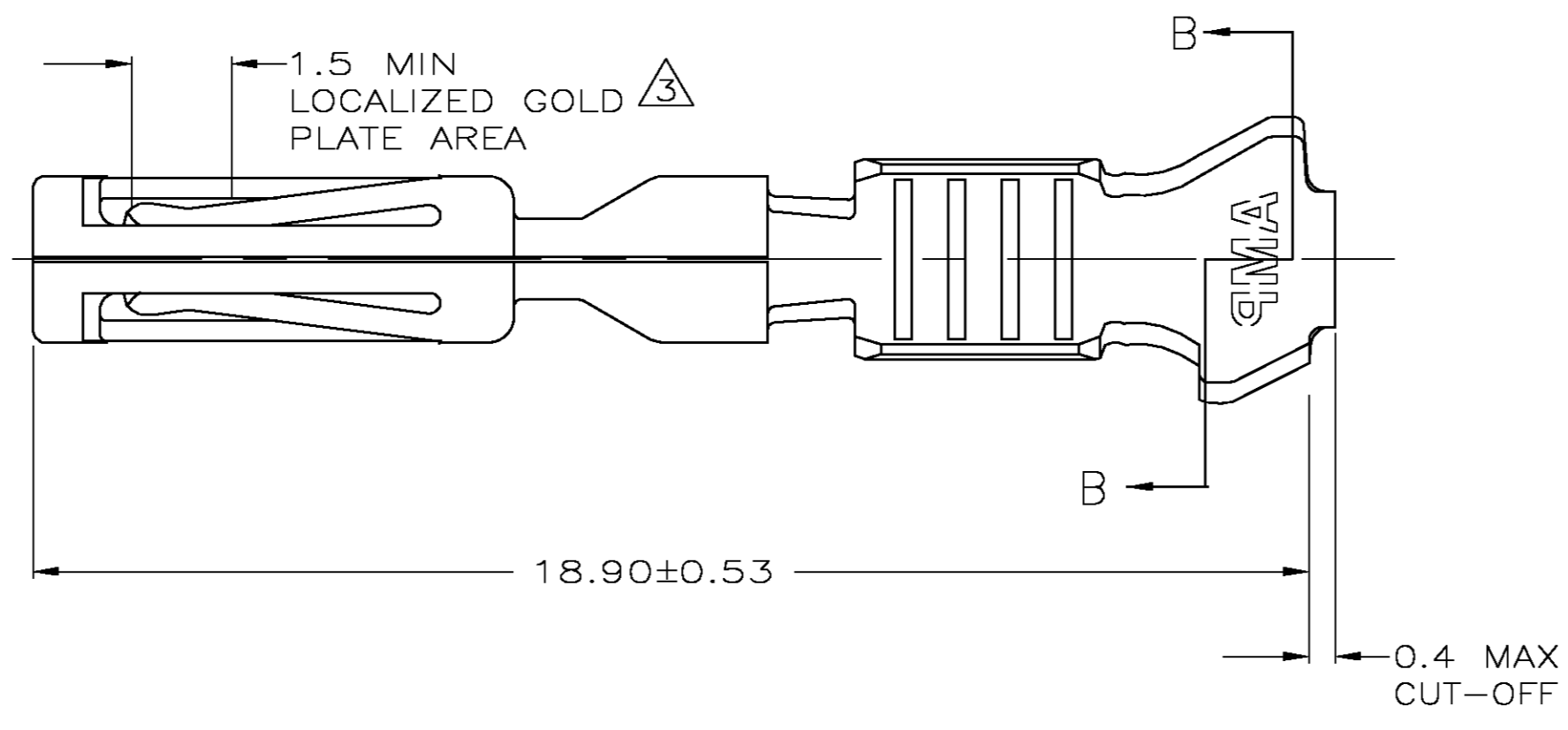
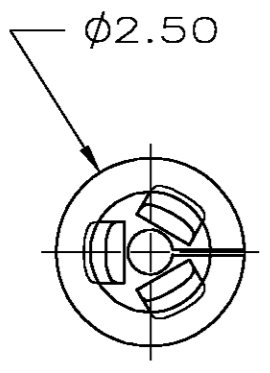
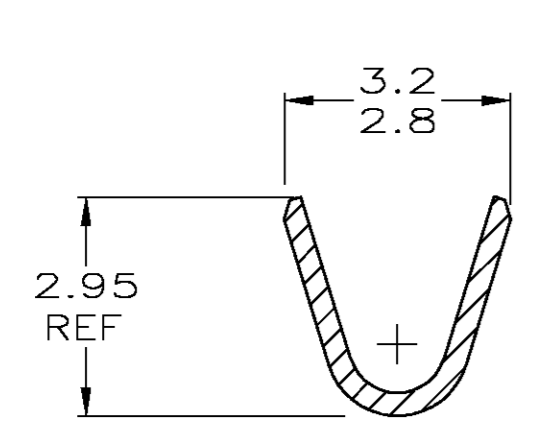
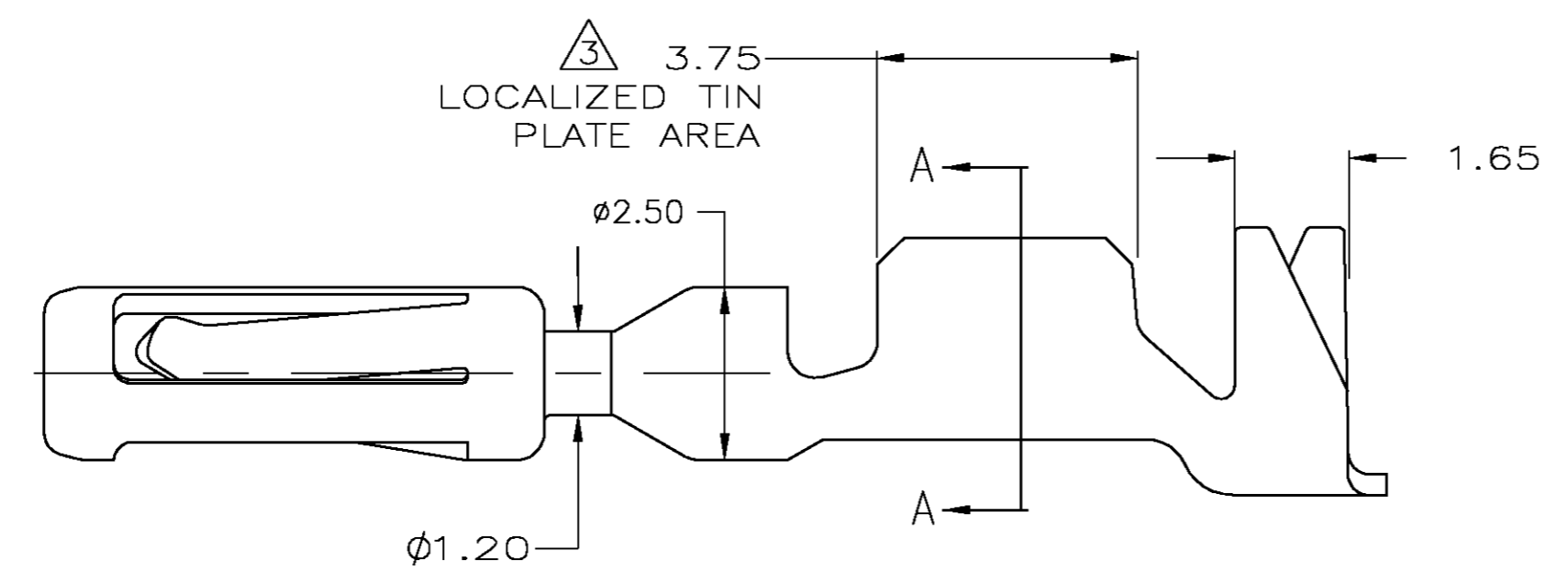


THIS DRAWING IS UNPUBLISHED. RELEASED FOR PUBLICATION  
 © COPYRIGHT BY TYCO ELECTRONICS CORPORATION. ALL RIGHTS RESERVED.

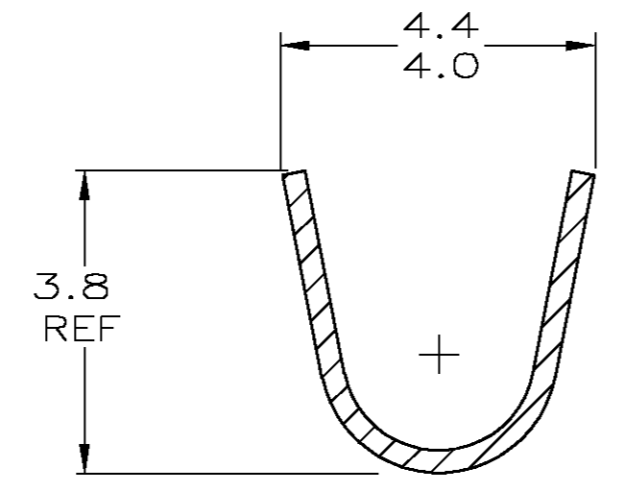
LOC	DIST	REVISIONS			NG	RS	
CM	51	P	LTR	DESCRIPTION	DATE	DWN	APVD
		01		REDRAWN - EC OK40-0380-03	20JUN03	JRB	MPT



1. WIRE RANGE: 20-16 AWG
  2. INSULATION RANGE: 1.70-2.70.
- $\Delta 3$  .00075 MIN GOLD IN THE LOCALIZED GOLD PLATE AREA, .0025 MIN MATTE TIN IN THE LOCALIZED TIN PLATE AREA OVER .00125 MIN NICKEL OVER ENTIRE CONTACT.



SECTION A-A



SECTION B-B  
ROTATED 90° CW

GOLD $\Delta 3$	0.38 COPPER ALLOY	770854-3
PRE-TIN	0.38 COPPER ALLOY	770854-1
FINISH	MATERIAL	PART NO.

THIS DRAWING IS A CONTROLLED DOCUMENT.		DWN	-	Tyco Electronics Corporation Harrisburg, PA 17105-3608		
DIMENSIONS: MM		CHK	-			
TOLERANCES UNLESS OTHERWISE SPECIFIED:		APVD	-	NAME		
0 PLC	± -	PRODUCT SPEC		CONTACT, LOOSE PIECE, AMPSEAL		
1 PLC	± -	APPLICATION SPEC		SIZE	CAGE CODE	DRAWING NO
2 PLC	± -	WEIGHT		A2	00779	C=770854
3 PLC	± -	CUSTOMER DRAWING		SCALE	SHEET	OF
4 PLC	± -	FINISH		10:1	1	1
ANGLES	± -	RESTRICTED TO		REV 01		

**METRIC**

770854