



Search:



Parametric Search

Replacement Parts Search

Home > RF/IF Components > RF/IF Transceivers

RF/IF Components

- DDS Modulators
- Digital Up/Down Converters
- Direct Digital Synthesis (DDS)
- Log Amps/Detectors
- Mixers/Multipliers
- Modulators/Demodulators
- PLL Synthesizers/VCOs
- RF Switches
- RF/IF Amplifiers
- RF/IF Transceivers**
- RMS Detectors
- RX/TX Subsystems
- Short Range Transceivers

All Product Categories ▶

Design Center ▶

All Solutions/ Applications ▶

Buy Online ▶



ADF7020 ISM Band Transceiver IC

Data Sheets



Rev B, 08/2007 (pdf, 851K)

Email PDF

Application Notes

Evaluation

Lead(Pb) - Free Data

(Data Sheet Help)

Product Description

The ADF7020 is a low power, low-IF transceiver designed for operation in the license-free 1 and 915MHz. It is suitable for circuit applications that meet either the European ...[More](#)

An Evaluation setup consists of two boards, a small form-factor radio module or mother board (MB) for interface to the PC.

These need to be ordered separately.

There are two different variations of mother board, a basic connector board (EVA board with an embedded controller ([EVAL-ADF70XXMB2](#)))

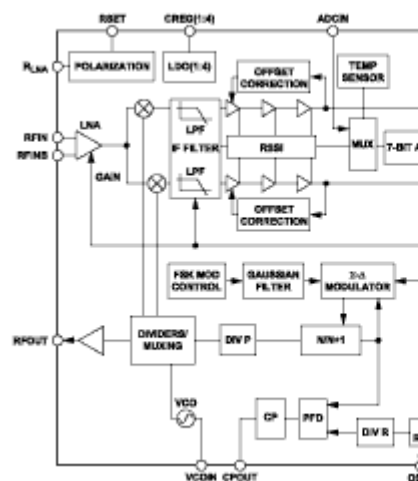
Please see [Evaluation Boards](#) for more information.

Specifications

Modulation Mode	FSK/ASK/GFSK
Output Frequency Range	431-478 MHz, 862-956 MHz
Maximum Data Rate (kbps)	200kbps
Programmable Output Power	-16dBm to +13dBm
+10dBm Pwr Consumption	19mA
Package	48-Lead CSP

[Find Similar Products](#)

Functional Block Diagram



[Symbols and Footprints](#) Other

Features

- Operates in the frequency bands: 433 to 464MHz and 862 to 928MHz
- Implements complete transceiver solutions with few external components. No TR switch required.
- Supports data rates of 0.3 to 200 kbits/s in FSK mode and 0.3 to 75 kbits/s in ASK mode
- Operates on a 2.3V supply with program from -16 to +13dBm
- High Receiver Sens at 1kbit/s, and high output power, +13dB link margin.

Design Tools

[ADI SRD Design Studio](#)

Analog Devices ADI SRD Design Studio is a very powerful tool allowing real-time simulation of system parameters in a typical wireless system using the ADF7xxx family of transceivers and transceivers based on the popular ADIsimPLL™ tool, and has been enhanced to allow users to view results in both time and frequency domains.

[Evaluation Boards for ISM Band Transmitters / Transceivers](#)

Price, Packaging, and Availability

ADF7020 Model Options

Model	Status	Package	Pins	Temp Range	Price* (100-499)	Available	Cr
ADF7020BCPZ	Prod'n	48 ld LFCSP (7x7x.85mm w/4.1mm Pad)	48	Ind	\$2.29	11/2/2007	V De
ADF7020BCPZ-RL	Prod'n	48 ld LFCSP (7x7x.85mm w/4.1mm Pad)	48	Ind	-	3/14/2008	V De
ADF7020BCPZ-RL7	Prod'n	48 ld LFCSP (7x7x.85mm w/4.1mm Pad)	48	Ind	-	11/2/2007	V De
EVAL-ADF7020DBZ1	Prod'n	EVALUATION BOARDS	-	Ind	\$50.00	11/2/2007	
EVAL-ADF7020DBZ2	Prod'n	EVALUATION BOARDS	-	Ind	\$50.00	11/2/2007	
EVAL-ADF7020DBZ3	Prod'n	EVALUATION BOARDS	-	Ind	\$50.00	11/2/2007	

The USA list pricing shown is for BUDGETARY USE ONLY, shown in United States dollars (FOB USA per stated volume), and is subject to change. International prices may differ due to local duties, taxes, fees and rates. For volume-specific price or delivery quotes, please contact your local Analog Devices, Inc. sales office or authorized distributor. Pricing displayed for Evaluation Boards and Kits is based on 1-piece pricing.

[View Sales and Distribution Offices](#)

Find Similar Products

Select a Product Category

Othello® RF Transceivers for Cellular Terminals

Part Number	Description
AD6548	Othello-G Single-Chip, Direct-Conversion GSM/GPRS RF Transceiver
AD6546	Othello-E Single Chip Direct Conversion EDGE Radio Transceiver
AD6541/AD6547	Othello-W Direct Conversion 3G Radio Transceiver
AD6551	Othello-3 CMOS Direct Conversion 3G W-CDMA Radio Transceiver
AD6552	Othello-3T CMOA Direct Conversion 3G TD-SCDMA Radio Transceiver

ISM-Band Transmitters

Part Number	Description
ADF7010	High Performance ISM Band ASK/FSK/GFSK Transmitter IC

ADF7011	High Performance ISM Band ASK/FSK/GFSK Transmitter IC
ADF7012	Single Chip Low Power UHF Transmitter
ADF7901	High Performance ISM Band ASK/FSK Transmitter IC

ISM Band Transceivers

Part Number	Description	Developr
ADF7020	ISM Band low power, low-IF RF transceiver IC	EVAL-ADF70XX Development Platform for ADF7 Transceivers
ADF7020-1	High Performance, ISM Band, FSK/ASK transceiver IC	EVAL-ADF70XX Development Platform for ADF7 Transceivers
ADF7021	High Performance Narrowband ISM Transceiver IC	EVAL-ADF70XX Development Platform for ADF7 Transceivers
ADF7025	ISM Band low power, zero-IF RF transceiver IC	EVAL-ADF70XX Development Platform for ADF7 Transceivers

WiMAX RF MxFE™ Transceivers

Part Number	Description
AD9352	Fully integrated transceiver for IEEE 802.16 WiMAX and WiBRO wireless network sy
AD9353	Fully integrated transceiver for IEEE 802.16 WiMAX wireless network systems
AD9354	WiMAX/WiBRO RF MxFE™ Integrated MISO Transceiver
AD9355	WiMAX RF MxFE™ Integrated MISO Transceiver

Last Updated: 9/2007

[Privacy/Security](#)[myAnalog](#)[Contact ADI](#)[Site Map](#)[Registration](#)

© 1995-2007 Analog Devices, Inc. All Rights Reserve
This site is optimized for IE 6.0+, NN 7.1, and Mozilla