

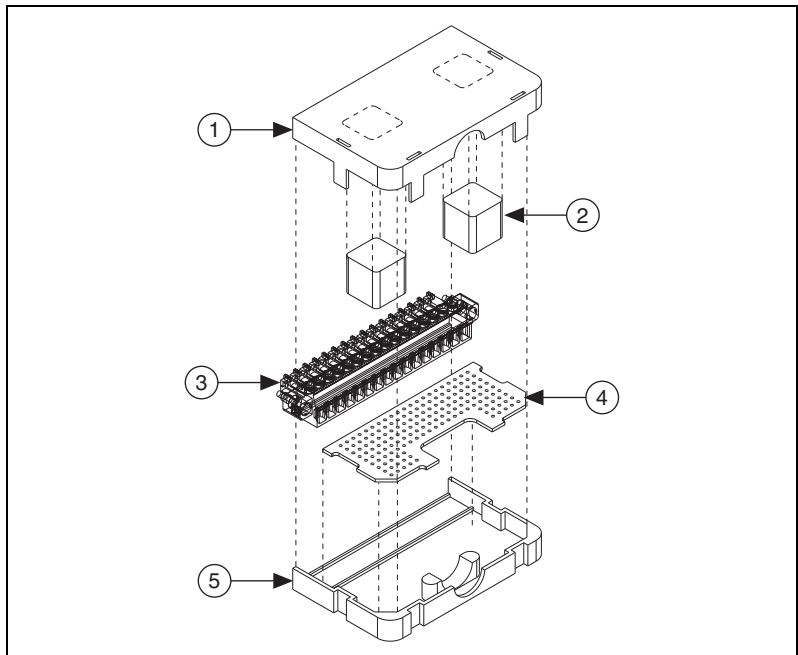
## ASSEMBLY INSTRUCTIONS

# USB-6000 Series Prototyping Accessory

The USB-6000 Series Prototyping Accessory is a plug that attaches to the 16-position connector of the USB-6008/6009, the USB-6501, as well as any product with a 16-position, 3.81 mm pitch, combicon-style connector. The USB-6000 Series Prototyping Accessory has a small breadboarding area allowing for custom-defined signal conditioning and prototyping within the housing.



**Caution** Not for use with voltages exceeding 30 Vrms.



- |                          |                             |
|--------------------------|-----------------------------|
| 1 Plastic Housing (Top)  | 4 Prototyping Circuit Board |
| 2 Adhesive Foam Standoff | 5 Plastic Housing (Bottom)  |
| 3 Connector              |                             |

This kit includes the connector, prototyping circuit board, plastic housing top and bottom, and adhesive foam standoffs, as pictured in the previous figure:

Use the following steps for assembly:

1. Peel off adhesive lining from the foam standoffs and apply them to the inside of the housing top in the location shown.
2. Drop the connector and printed circuit board into the housing bottom.
3. Snap the top and bottom together.



**Note** A strain relief bar and product labeling windows are included with the prototyping accessory for your convenience.

## Specification

---

Overall Dimensions .....2.50 in. × 1.81 in. × 0.58 in.

National Instruments, NI, ni.com, and LabVIEW are trademarks of National Instruments Corporation. Refer to the *Terms of Use* section on [ni.com/legal](http://ni.com/legal) for more information about National Instruments trademarks. Other product and company names mentioned herein are trademarks or trade names of their respective companies. For patents covering National Instruments products, refer to the appropriate location: **Help»Patents** in your software, the `patents.txt` file on your CD, or [ni.com/patents](http://ni.com/patents).