

Square, bus bar type

Series: PC2500



› **Features:**

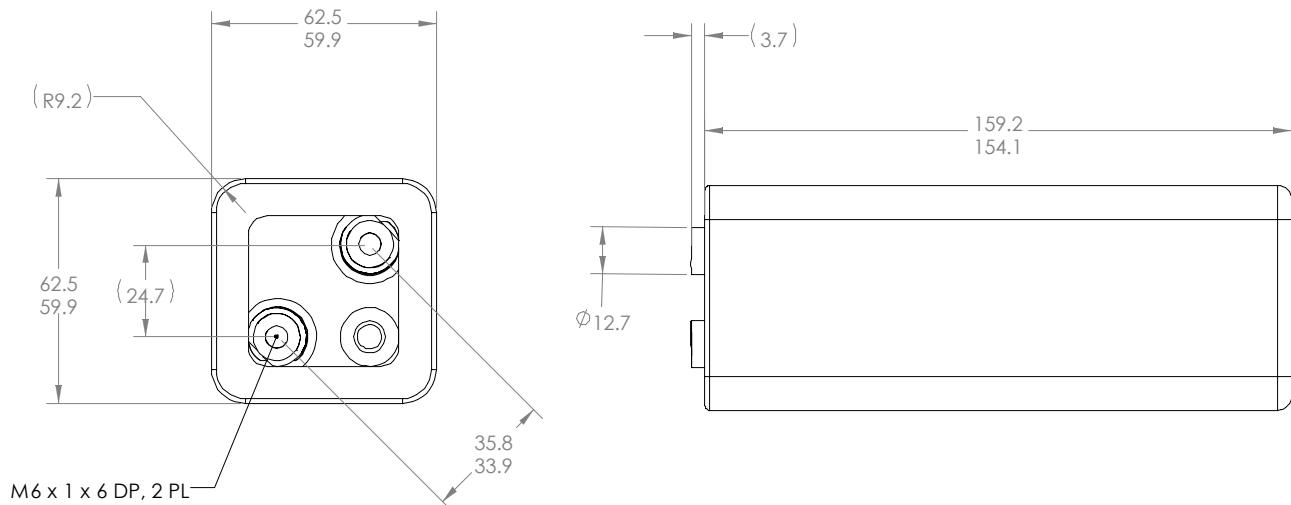
- › Over 500,000 duty cycles
- › 10 year life capability
- › Higher energy vs electrolytic
- › Higher power vs. batteries
- › Aluminum construction



› **Applications:**

- › Automotive subsystems
- › Wireless transmissions

› **Dimensions:**



Case size	Dimensions, mm			Weight [g]	Vol. [l]	Typical package qty
	L	W	T			
PC2500	161	61.5	61.5	725	0.6	25

NOTE: PC2500 available in limited quantity only.
The MC2600 is the replacement part for this product.
Please contact BOOSTCAP Sales for additional information.

Product dimensions and specifications may change without notice. Please contact Maxwell Technologies directly for any technical specifications critical to application.

› **Specifications:**

NOTE: PC2500 available in limited quantity only.

	Product Specification		
	PC2500	Tolerance	Standard
Mounting	Bus Bar		
Capacitance, C _R [F]	2,700	+/- 20%	
Voltage, U _R	2.5		
Internal resistance, DC [ohm]	0.001	+/- 25 %	
Internal resistance, 1 kHz [ohm]	0.00055	+/- 25 %	
Rated current, [A]	100		5s discharge to 1/2 U _R
Short circuit current, I _{sc} [A]	4500		Caution , current possible with short circuit from U _R
Leakage current [mA]	6		72 hrs, 25°C
Operating temp. range [C]	-40 to 65		
Storage temp. range [C]	-40 to 85		
Endurance, Capacitance [F]	< 20% decrease		
Endurance, Resistance [ohm]	< 40% increase		1000 hrs @ U _R and 70°C
Maximum energy, E _{max} [mAh]	1,800		Full discharge from U _R
Power, P _d [W/kg]	1,030		See additional technical information
Power, P _v [W/l]	1,250		See additional technical information
Life Time	ΔC < 20% decrease, ESR < 200% increase		from initial value after 10y @ 25°C
Cycle Life	ΔC < 20% decrease, ESR < 200% increase		from initial value after 500K cycles @ 25°C (I = 20A)

› **Markings: Capacitors are marked with the following information**

Rated capacitance, Rated voltage, product number, name of manufacturer, positive and negative terminal, warning marking.

› **Mounting Recommendations:**

Component to be mounted with bus bar rated for application current. Maximum torque recommendation is 60 inch lbs. Use of lock washer recommended. See Integration Kit for additional recommendations.

Components should not be operated outside recommended limits.

› **Additional Technical Information:**

$$P_d = (0.12 \times E^2 / R_d) / M \quad \text{where } E = \text{charge voltage (U}_R\text{), } R_d = \text{internal resistance (DC)}$$

$$M = \text{capacitor weight (kg)}$$

$$P_v = (0.12 \times E^2 / R_d) / V \quad \text{where } V = \text{capacitor volume (l)}$$

US Patents: 6,430,031; 6,233,135; 5,907,472; 5,862,035; 5,777,428; 5,621,607

Worldwide Headquarters

MAXWELL TECHNOLOGIES
9244 Balboa Avenue • San Diego, 92123 CA, USA
PHONE: +(1) 858 503 3300
FAX: +(1) 858 503 3301
EMAIL: info@maxwell.com

European Office

MAXWELL TECHNOLOGIES SA
CH-1728 Rossens • Switzerland
PHONE: +41 (0) 26 411 85 00
FAX: +41 (0) 26 411 85 05
EMAIL: info@maxwell.com

