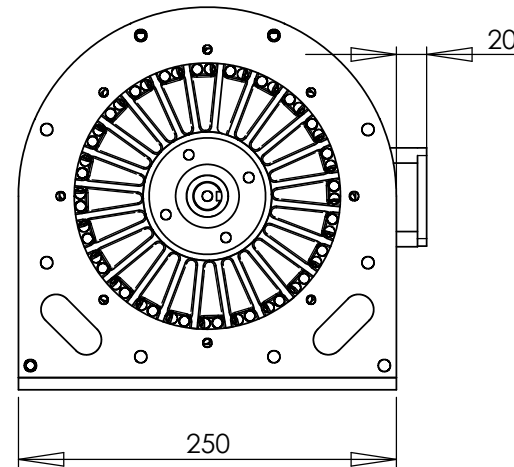
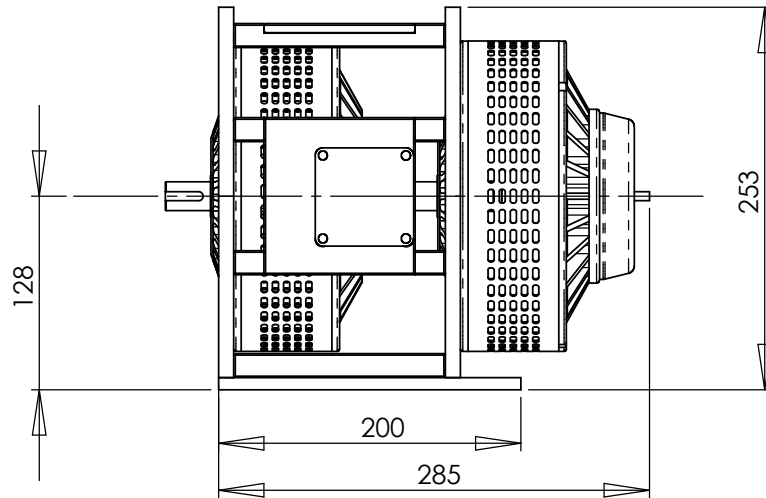
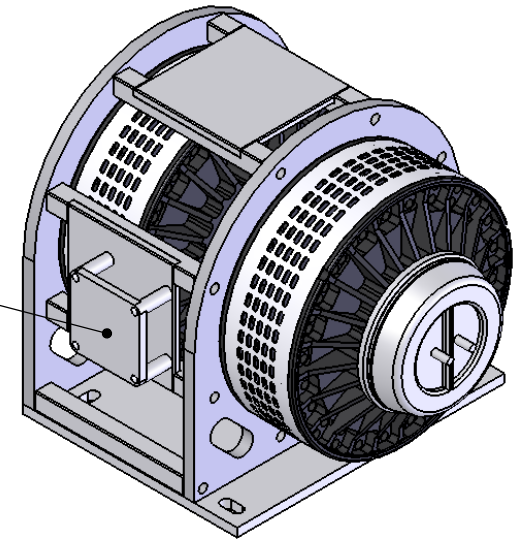


Terminal studs M6
under cover .
Optional mounting:
left, right or top
frame plate



PROPRIETARY AND CONFIDENTIAL
THE INFORMATION CONTAINED IN THIS
DRAWING IS THE SOLE PROPERTY OF
LMC LTD. ANY REPRODUCTION IN PART
OR AS A WHOLE WITHOUT THE WRITTEN
PERMISSION OF LMC LTD IS PROHIBITED.

		UNLESS OTHERWISE SPECIFIED:		NAME	DATE
		DIMENSIONS ARE IN MILLIMETRES	DRAWN	RT	10-03-06
		TOLERANCES:	CHECKED		
		HOLE CENTRES ±0.2mm	ENG APPR.		
		OTHER DIMS ±0.5mm	MFG APPR.		
		INTERPRET GEOMETRIC TOLERANCING PER:	Q.A.		
		MATERIAL	COMMENTS:		
		ALLOY 6082			
		FINISH			
NEXT ASSY	USED ON				
APPLICATION		DO NOT SCALE DRAWING			

First Angle Projection		
TITLE: LEM-2x2 installation		
SIZE A	DWG. NO. LEM-2x2	REV
SCALE 1=5	WEIGHT:	SHEET 1 OF 1