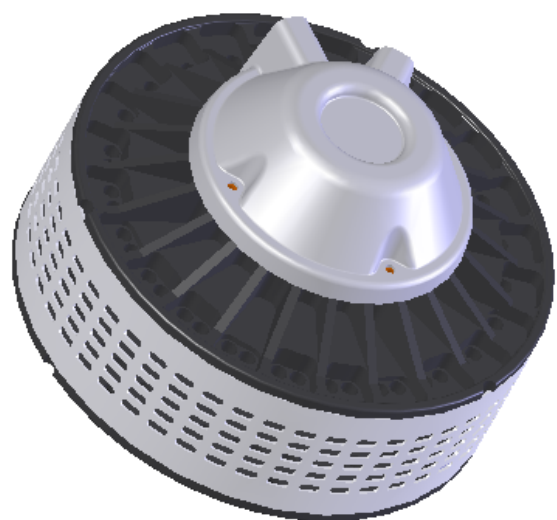



DETAIL C
SCALE 1 : 1



UNLESS OTHERWISE SPECIFIED: DIMENSIONS ARE IN MILLIMETERS SURFACE FINISH: TOLERANCES: LINEAR: ANGULAR:				FINISH:		DEBUR AND BREAK SHARP EDGES		DO NOT SCALE DRAWING		REVISION	
DRAWN				SIGNATURE		DATE		TITLE:			
CHK'D								DWG NO.			
APPV'D								200 motor assembly			
MFG								A3			
Q.A.								SCALE:1:2			
						MATERIAL:		SHEET 1 OF 1			
						WEIGHT:					