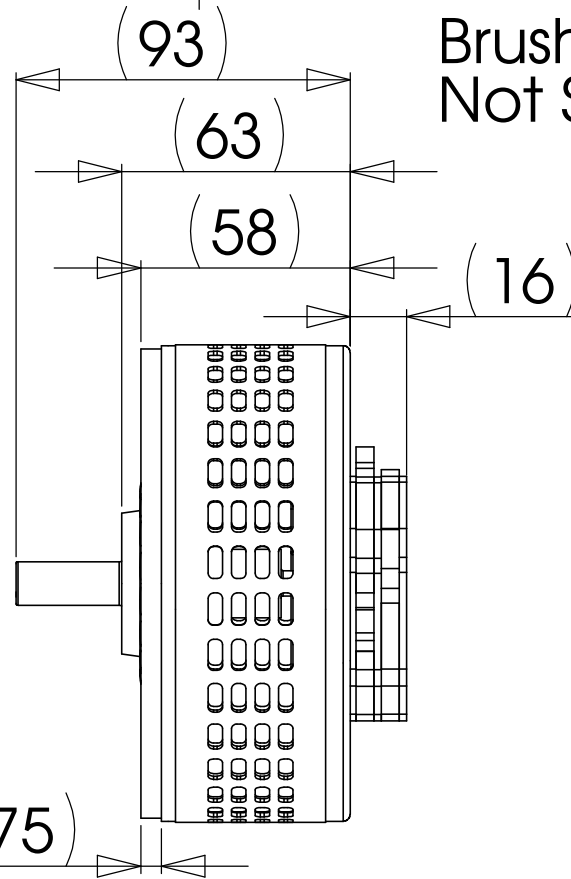


$\phi 12$

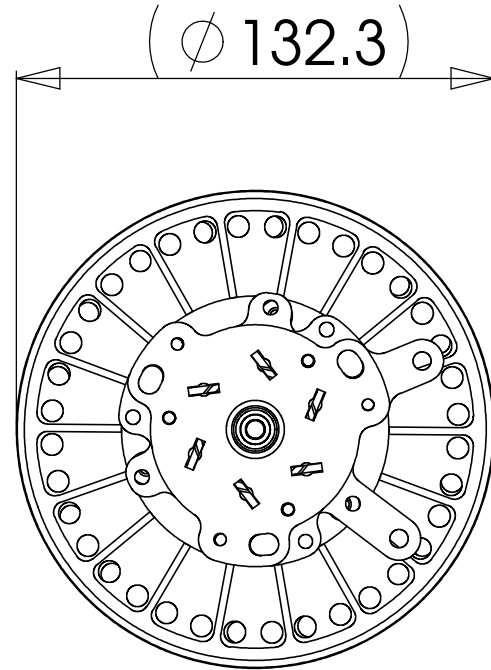
6 off

M6x1.0 - 6H ∇ 15.60

Equal Spaced
on $\phi 120$ PCD



Brush holder cover
Not Shown



UNLESS OTHERWISE SPECIFIED: DIMENSIONS ARE IN MILLIMETERS SURFACE FINISH: TOLERANCES: LINEAR: ANGULAR:				FINISH:		DEBUR AND BREAK SHARP EDGES		DO NOT SCALE DRAWING		REVISION	
DRAWN				SIGNATURE		DATE		TITLE:			
CHK'D											
APPV'D											
MFG											
Q.A						MATERIAL:		DWG NO.		A4	
								130 Motor Complete			
						WEIGHT:		SCALE: 1:2		SHEET 1 OF 1	