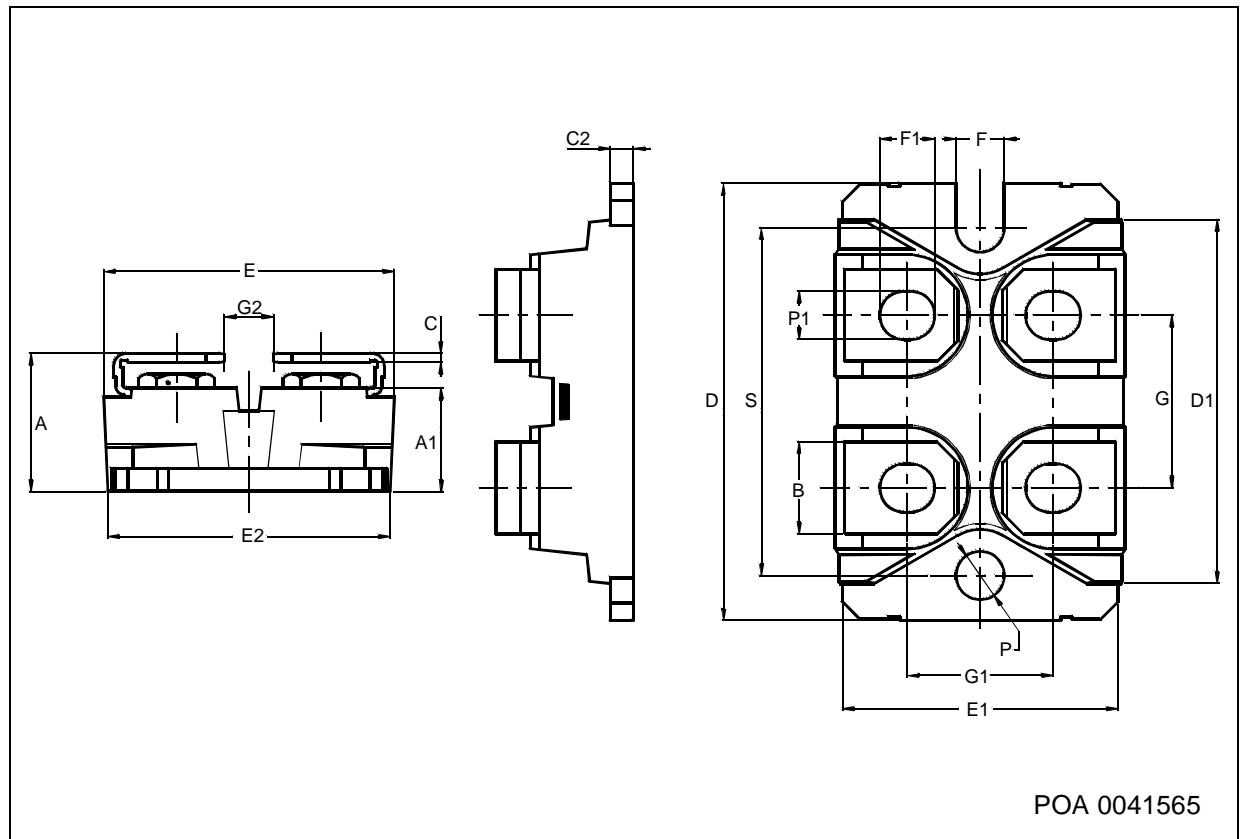
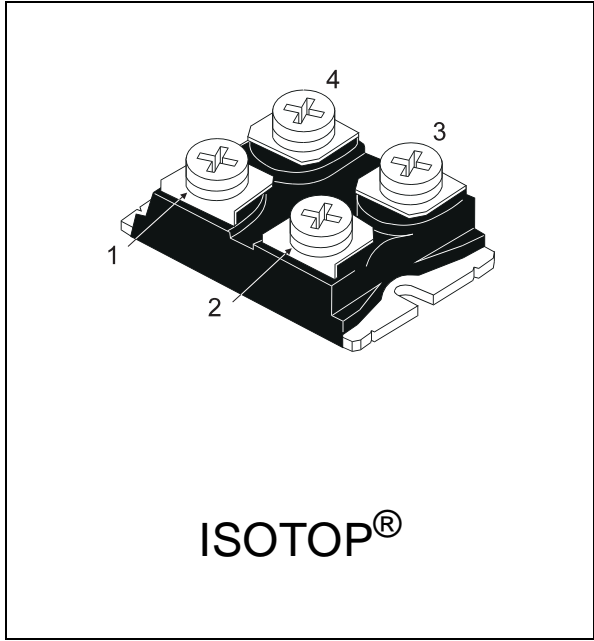
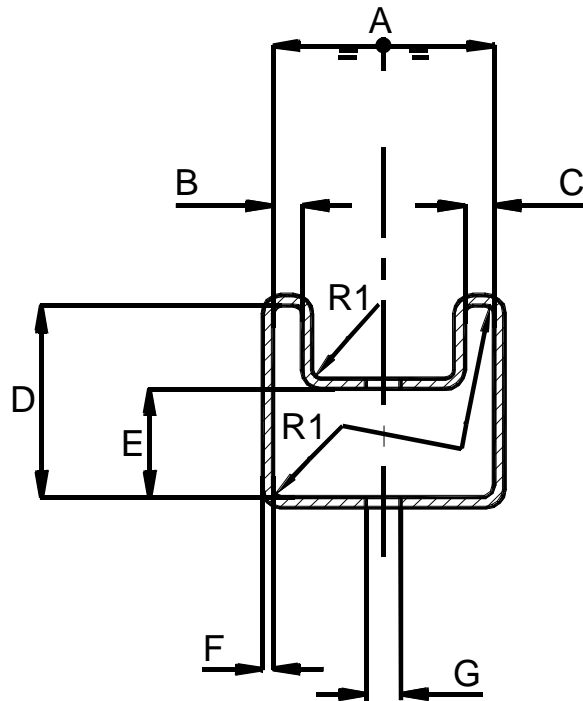


DIMENSIONS						
REF.	mm			inch		
	TYP.	MIN.	MAX.	TYP.	MIN.	MAX.
A		11.80	12.20		0.466	0.480
A1		8.90	9.10		0.350	0.358
B		7.80	8.20		0.307	0.323
C		0.75	0.85		0.029	0.033
c2		1.95	2.05		0.077	0.081
D		37.80	38.20		1.488	1.504
D1		31.50	31.70		1.240	1.248
E		25.15	25.50		0.990	1.004
E1		23.85	24.15		0.939	0.951
E2	24.80			0.976		
G		14.90	15.10		0.587	0.594
G1		12.60	12.80		0.496	0.504
G2		3.50	4.30		0.138	0.169
F		4.10	4.30		0.161	0.169
F1		4.60	5.00		0.181	0.197
P		4.00	4.30		0.157	0.169
P1		4.00	4.40		0.157	0.173
S		30.10	30.30		1.185	1.193



TUBE SHIPMENT INFORMATION



TUBE MECHANICAL DATA		
	mm.	inch
A	26.50 (±0.15)	1.043 (±0.006)
B	3.50 (+0.30 / -0)	0.138 (+0.012 / -0)
C	3.50 (+0.30 / -0)	0.138 (+0.012 / -0)
D	23.00	0.906
E	13.00 (±0.15)	0.512 (±0.006)
F	1.10	0.043
G	4.20 (±0.05)	0.165 (±0.002)
R1	30°	30°

BASE QUANTITY	10 pcs.
BULK QUANTITY	100 pcs.