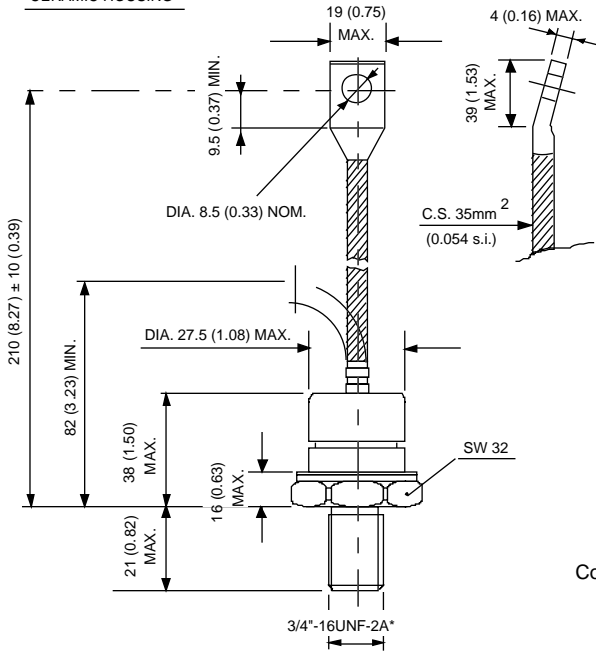


DO-9 Outline

CERAMIC HOUSING

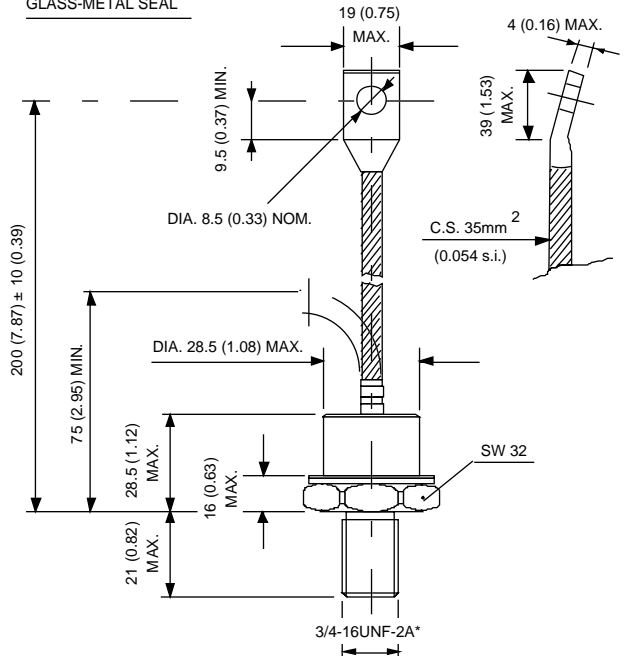


Conform to JEDEC DO-205AB (DO-9)

All dimensions in millimeters (inches)

* FOR METRIC DEVICE: M16 X 1.5

GLASS-METAL SEAL



* FOR METRIC DEVICE: M16 X 1.5