



# RECHARGEABLE SEALED LEAD ACID BATTERY

Revision 3.3

## WP18-12IE

### Specifications

**Nominal Voltage (V)** 12V

#### Nominal Capacity

20hour rate ( 0.9A	to	10.50V)	18Ah
10hour rate ( 1.8A	to	10.50V)	17.1Ah
5hour rate ( 3.06A	to	10.20V)	15.3Ah
1C ( 18A	to	9.60V)	12.6Ah
3C ( 54A	to	9.60V)	9.18Ah

**Weight** 6.283kg(13.82Lbs.)

**Internal Resistance (at 1KHz)** 10 mΩ

**Maximum Discharge Current for 30 seconds :** 360A

**Maximum Discharge Current for 5 seconds :** 720A

#### Operating Temperature Range

Charge	0°C(32°F)	to	40°C (104°F)
Discharge	-15°C(5°F)	to	50°C (122°F)
Storage	-15°C(5°F)	to	40°C (104°F)

#### Charge Retention (shelf life) at 20°C (68°F)

1 month	92%
3 month	90%
6 month	80%

#### Charging Methods at 25°C(77°F)

##### Cycle use:

Charging Voltage 14.4 to 15.0V  
Maximum Charging Current : 5.4A

##### Standby use :

Float Charging Voltage 13.50 to 13.80V

#### Life expectancy :

##### Cycle Use :

100% depth of discharge 225 cycles  
80% depth of discharge 250 cycles  
50% depth of discharge 750 cycles

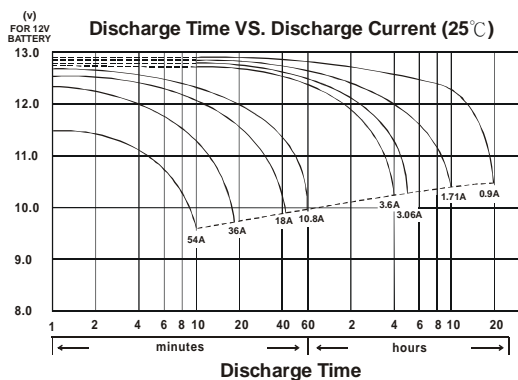
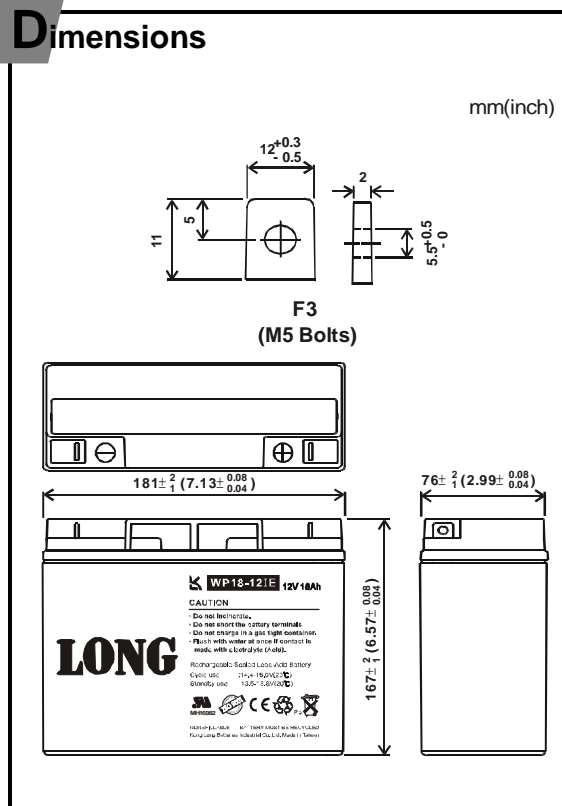
**Standby Use :** 3~5years

**Case Material** ABS

(Option : 94-HB & 94V-0 flame retardant case)

**Terminal** F3

### Dimensions



廣隆光電科技股份有限公司 Kung Long Batteries Industrial Co., Ltd.

南投市自立三路6號 NO. 6 TZU-LI 3 ROAD NANTOU CITY TAIWAN TEL: +886-49-2254777 ~8 FAX: +886-49-2253607